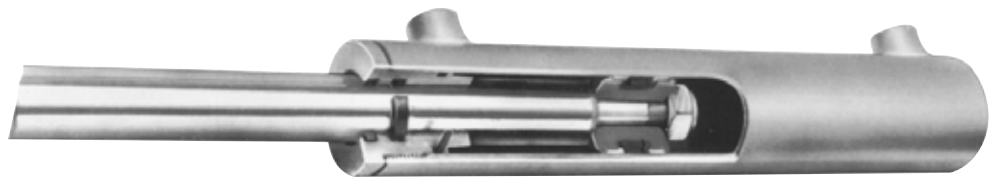


2.8 Martinetti idraulici & cilindri

Hydraulic jacks & cylinders

ГИДРОУПРАВЛЕНИЕ



Componenti oleodinamici
HYDRAULIC COMPONENTS
ГИДРАВЛИЧЕСКИЕ КОМПОНЕНТЫ

CARATTERISTICHE TECNICHE PER CILINDRI

TECHNICAL SPECIFICATIONS FOR HYDRAULIC CYLINDER

Pressione esercizio: 180 bar

Pressione di picco: massimo 250 bar

Temperatura C° -25° + 80°

Barra Cromata: Acciaio UNI C45 SAE1045

Spessore cromatura: Cromo 25 Micron +/- 5

Tubo: acciaio St523 - DIN 2393 ISO H9

Testata di guida: ghisa UNI 5007 G25

Pistone: UNI 9SMn Pb28

Fondello: S235JR EN10027-1 (Fe360b)

Borchia Filettata: S235JR EN10027-1 (Fe360b)

Dado autobloccante: acciaio UNI 7473-7474

Guarnizioni: poliuretano

Boccole: S355JR EN10027-01 (Fe510b)

Working pressure: 180 bar

Max pressure: 250 bar

Temperature: C° -25°+80°

Chrome rod: steel UNI C45 SAE1045

Thickness chroming: chrome 25 Micron +/- 5

Tube: steel St523 - DIN 2393 ISO H9

Head-bush: hydraulic cast iron UNI 5007 G25

Piston: UNI 9SMn Pb28

End-bottom: S235JR EN10027-1 (Fe360b)

Threaded bushing: S235JR EN10027-1 (Fe360b)

Locknut: steel UNI 7473-7474

Seal: polyurethane

Ferrules: S355JR EN10027-01 (Fe510b)

MARTINETTI IDRAULICI PER RIMORCHI AGRICOLI E INDUSTRIALI

VÉRINS HYDRAULIQUES

HYDRAULIC LIFTING JACKS

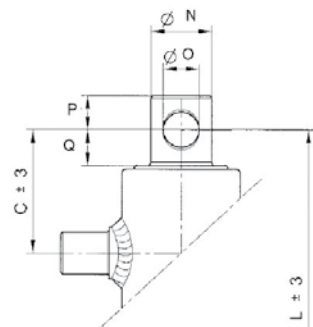
TELESKOPZILINDER FÜR ANHÄNGER

TELESCÓPICO HIDRÁULICO PARAREMOLQUE AGRICOLAS E INDUSTRIALES

ГИДРОЦИЛИНДРЫ ДЛЯ СЕЛЬСКОХОЗЯЙСТВЕННЫХ И ПРОМЫШЛЕННЫХ ПРИЦЕПОВ

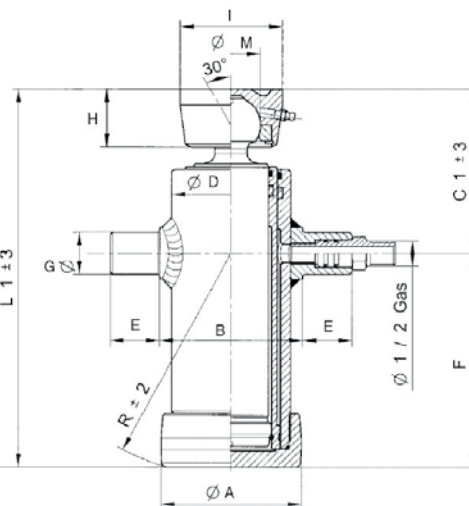


ATTACCO AD OCCHIO
EYE-FITTING



Portata a 100 bar/ton
Charge a 100 bar/ton
Capacity at 100 bar/ton
Balastbarkeit 100
bar/ton
Capacidad 100 bar/ton

ATTACCO A SFERA
BALL-FITTING



Art./Ref.	A mm	B mm	C mm	D mm	E mm	F mm	G mm	H mm	I mm	N mm	O mm	L mm	M mm	P mm	Q mm	Tipo/Type	Sfilata/Extension	Portata/Capacità/Flow/Capacity	Capacità lt/Capacity lt	Corsa/Stroke
01411	110	115	105	93	40	310	35	-	-	59	31	415	-	30	25	FORO / HOLE	2	6	2.3	595
01412	110	115	105	93	40	360	35	-	-	59	31	465	-	30	25	FORO / HOLE	2	6	2.7	695
01403	130	134	105	112.5	40	220	35	-	-	59	31	325	-	30	25	FORO / HOLE	3	8	2.8	593
01419	130	134	105	112.5	40	250	35	-	-	59	31	355	-	30	25	FORO / HOLE	3	8	3.3	683
01420	130	134	110	112.5	40	280	35	-	-	59	31	390	-	30	25	FORO / HOLE	3	8	3.8	785
01421	130	134	110	112.5	40	315	35	-	-	59	31	425	-	30	25	FORO / HOLE	3	8	4.2	893
01422	130	134	110	112.5	40	365	35	-	-	59	31	475	-	30	25	FORO / HOLE	3	8	5	1043
01429	145	147	112	124	40	225	40	-	-	59	31	337	-	30	25	FORO / HOLE	4	10	5	830
01432	145	147	112	124	40	315	40	-	-	59	31	427	-	30	25	FORO / HOLE	4	10	7	1190
01433	145	147	112	124	40	340	40	-	-	59	31	452	-	30	32	FORO / HOLE	4	10	7.5	1290
01434	145	147	112	124	40	395	40	-	-	59	31	507	-	30	25	FORO / HOLE	4	10	8.8	1510
01446	172	172	120	150	45	313	45	-	-	59	31	433	-	30	25	FORO / HOLE	5	11	11	1480
01415	110	115	150	93	40	310	35	55	95	-	-	460	55	-	-	SFERA / BALL	2	6	2.3	595
01416	110	115	150	93	40	360	35	55	95	-	-	510	55	-	-	SFERA / BALL	2	6	2.7	695
01414	110	115	142	93	40	180	35	44	112	-	-	322	45	-	-	SFERA / BALL	3	5	1.6	500
01652	110	115	142	93	40	310	35	44	112	-	-	452	45	-	-	SFERA / BALL	3	5	2.8	893
01423	130	134	147	112.5	40	190	35	55	95	-	-	337	55	-	-	SFERA / BALL	3	8	2.5	500
01428	130	134	147	112.5	40	220	35	55	95	-	-	367	55	-	-	SFERA / BALL	3	8	2.8	593
01424	130	134	147	112.5	40	250	35	55	95	-	-	397	55	-	-	SFERA / BALL	3	8	3.3	683
01425	130	134	152	112.5	40	280	35	55	95	-	-	432	55	-	-	SFERA / BALL	3	8	3.8	785
01426	130	134	152	112.5	40	315	35	55	95	-	-	467	55	-	-	SFERA / BALL	3	8	4.2	893
01427	130	134	152	112.5	40	365	35	55	95	-	-	517	55	-	-	SFERA / BALL	3	8	5	1043
01655	145	147	150	124	40	155	40	44	112	-	-	305	45	-	-	SFERA / BALL	5	8	3.5	690
01437	145	147	156	124	40	225	40	55	95	-	-	381	55	-	-	SFERA / BALL	4	10	5	830
01653	145	147	156	124	40	280	40	55	95	-	-	436	55	-	-	SFERA / BALL	4	10	6.2	1050
01440	145	147	156	124	40	315	40	55	95	-	-	471	55	-	-	SFERA / BALL	4	10	7	1190
01441	145	147	156	124	40	340	40	55	95	-	-	496	55	-	-	SFERA / BALL	4	10	7.5	1290
01442	145	147	156	124	40	395	40	55	95	-	-	551	55	-	-	SFERA / BALL	4	10	8.8	1510
01656	145	147	150	124	40	185	40	44	112	-	-	335	45	-	-	SFERA / BALL	5	8	4.5	840
01657	172	172	165	150	45	213	45	55	95	-	-	378	55	-	-	SFERA / BALL	5	11	7.5	980
01445	172	172	165	150	45	313	45	55	95	-	-	478	55	-	-	SFERA / BALL	5	11	11	1480

KIT GUARNIZIONI PER MARTINETTI IDRAULICI

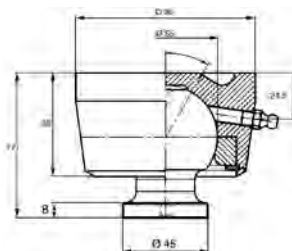
KIT JOINTS POUR VERINS HYDRAULIQUES
 SEAL KIT TELESCOPIC CYLINDERS
 DISCHTUNGSSATZ FÜR TELESKOPZYLINDER
 KIT JUNTAS PARA CILINDROS TELESCOPICOS
 НАБОР УПЛОТНЕНИЙ ДЛЯ ГИДРОЦИЛИНДРОВ

Art./Ref.	Sfilata/Extension	Brand	Applicazione/Application
58168	2	A.M.A.	01411, 01412, 01415, 01416
58169	3	A.M.A.	01403, 01419, 01420, 01421, 01422, 01424, 01425, 01426, 01427, 01428
58170	4	A.M.A.	01429, 01432, 01433, 01434, 01437, 01440, 01441, 01442, 01653
58171	5	A.M.A.	01445, 01446, 01657
58172	3	A.M.A.	01652
58173	5	A.M.A.	01655, 01656

ATTACCO SUPERIORE SFERICO A RICAMBIO PER MARTINETTI

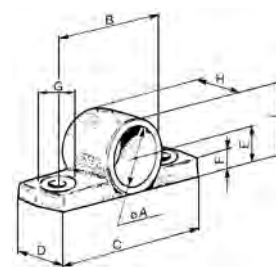
SPHERE DE RECHANGE POUR VERINS HYDRAULIQUES
 UPPER BALL END FOR LIFTING JACKS
 ERSATZ-OBERKUGEL VERSCHLUSS FÜR TELESKOPZYLINDER
 BOLA DE ENGANCHE DE RECAMBIO
 КРЕПЛЕНИЕ ВЕРХНЕЕ СФЕРИЧЕСКОЕ ЗАПАСНОЕ ДЛЯ ЦИЛИНДРОВ

Art./Ref.
01400


SUPPORTO PER MARTINETTI IDRAULICI

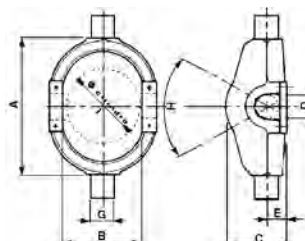
SUPPORT POUR VERIN
 BRACKETS FOR HYDRAULIC LIFTING
 HALTERUNGEN FÜR ZYLINDER
 SOPORTE PARA MARTINETTI HIDRÁULICO
 ОПОРЫ ДЛЯ ГИДРОЦИЛИНДРОВ

Art./Ref.	A mm	B mm	C mm	D mm	E mm	F mm	G mm	Peso Kg/Weight Kg
00822	35.50	95	130	45	30	12	13	0.6
00823	40.50	105	130	45	30	15	15	0.56
00824	50.50	105	140	45	33	15	15	0.69


GONDOLE TRILATERALI PER MARTINETTI

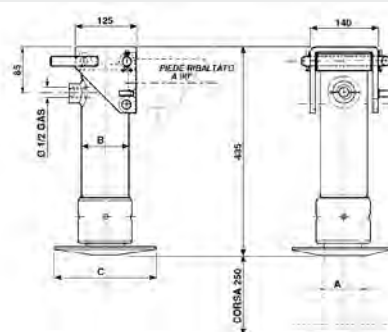
SUPPORT TRILATERAL POUR VÉRINS
 THREE-LATE RESTS FOR LIFTING JACKS
 WIEGE FÜR TELESKOPZYLINDER
 SOPORTE TRILATERAL PARA MARTINETTI
 ГОНДОЛЫ ТРЁХСТОРОННИЕ ДЛЯ ГИДРОЦИЛИНДРОВ

Art./Ref.	A mm	B mm	C mm	D mm	E mm	G mm	H mm	Note/Notes
01009	200	120	77	35	25	35	65	Ø CILINDRO / CYLINDER 93
01013	230	135	97	35	28	40	75	Ø CILINDRO / CYLINDER 112
01016	230	155	107	40	31	40	65	Ø CILINDRO / CYLINDER 124
01019	280	185	120	50	38	50	65	Ø CILINDRO / CYLINDER 152



SERVOTIMONI IDRAULICI CON RITORNO A MOLLA

BEQUILLE HYDRAULIQUES
 HYDRAULIC JACKS
 HYDRAULISCHE STÜTZFÜSSE
 SERVOMANDOS DE DIRECCIÓN HIDRÁULICOS - VUELA CON RESORTE
 ДОМКРАТЫ ГИДРАВЛИЧЕСКИЕ С ПРУЖИНЫМ ОБРАТНЫМ ХОДОМ



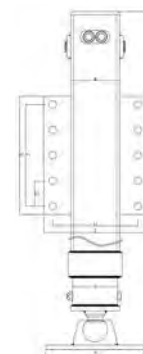
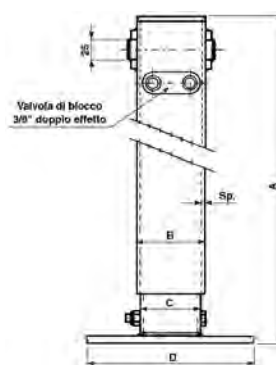
Cromato - Allungamento: 250 mm

Chrome - Extension: 250 mm

Art./Ref.	A mm	B mm	C mm	Carico verticale/Vertical load	Note/Notes
04622	65	80	160	100 bar = 3300 kg / 150 bar = 4970 kg	olio 0,8 lt
04623	85	100	215	100 bar = 5670 kg / 150 bar = 8500 kg	olio 1,5 lt

PIEDI IDRAULICI COMPLETI DI VALVOLA DI BLOCCO

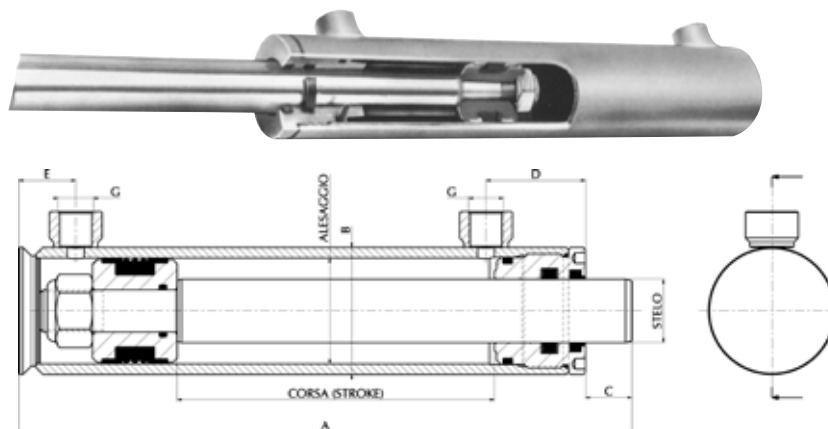
BEQUILLE HYDRAULIQUES AVEC CLAPET DE BLOCAGE
 HYDRAULIC PARKING JACK WITH BUILT-IN SAFETY VALVE
 HYDRAULISCHE STÜTZFUSSE MIT SPERRBLOCKVENTIL
 PIE HIDRÁULICO DE APOYO CON VÁLVULA DE BLOQUE
 ГИДРАВЛИЧЕСКАЯ ОПОРА УКОМПЛЕКТОВАННАЯ БЛОКИРОВОЧНЫМ КЛАПАНОМ



Completi di valvola di blocco pilotata a doppio effetto da 3/8". Senza kit tubi. Grezzi.

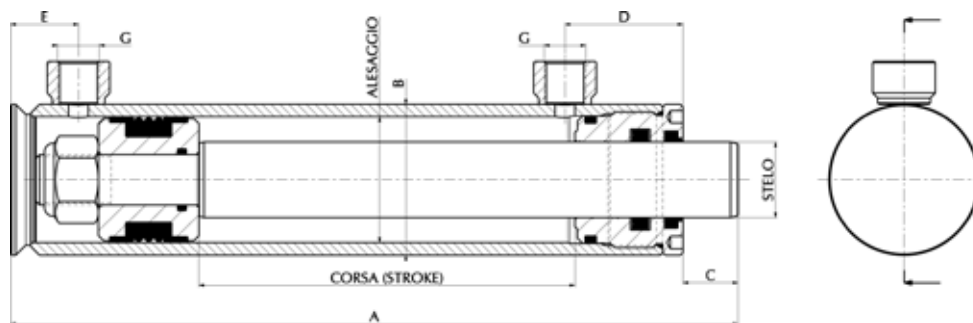
Equipped with double acting check valve 3/8". Without hoses kit. Rough

Art./Ref.	A mm	B mm	C mm	D mm	E mm	F mm	G mm	H mm	I mm	Allungamento mm/ Extension mm	Carico verticale/Vertical load	Spessore mm/ Thickness mm
11016	635	90x90	80x80	220	-	-	-	-	-	350	a 100bar 1963kg, a 150bar 2945kg	4
83824	675	80X80	70X70	350	-	-	-	-	-	400	a 100bar 1256kg, a 150bar 1884kg	4
83825	762	80X80	70X70	350	-	-	-	-	-	400	a 100bar 1256kg, a 150bar 1884kg	4
10454	675	100x100	90x90	180	-	-	-	-	-	400	a 100bar 1963kg, a 150bar 2945kg	4
10455	775	100x100	90x90	180	-	-	-	-	-	500	a 100bar 1963kg, a 150bar 2945kg	4
10456	675	100x100	90x90	180	-	-	-	-	-	400	a 100bar 2824kg, a 150bar 4241kg	4
10457	775	100x100	90x90	180	-	-	-	-	-	500	a 100bar 2824kg, a 150bar 4241kg	4
11021	785	110x110	100x100	250	-	-	-	-	-	500	a 100bar 3848kg, a 150bar 5772kg	4
82796	985	110X110	100X100	250	-	-	-	-	-	700	a 100bar 3800kg, a 150 bar 5700kg	4
83817	762	100X100	90X90	180	265	228	57	190	230	400	a 100bar 1900kg, a 150bar 2900kg	4
83818	862	100X100	90X90	180	265	228	57	190	230	500	a 100bar 1900kg, a 150bar 2900kg	4
83819	762	100X100	90X90	180	265	228	57	190	230	400	a 100bar 2800kg, a 150bar 4200kg	4
83821	862	100X100	90X90	180	265	228	57	190	230	500	a 100bar 2800kg, a 150bar 4200kg	4
83822	872	110X110	100X100	250	265	228	57	190	230	500	a 100bar 3800kg, a 150bar 5700kg	4
83823	1072	110X110	100X100	250	265	228	57	190	230	700	a 100bar 3800kg, a 150bar 5700kg	4

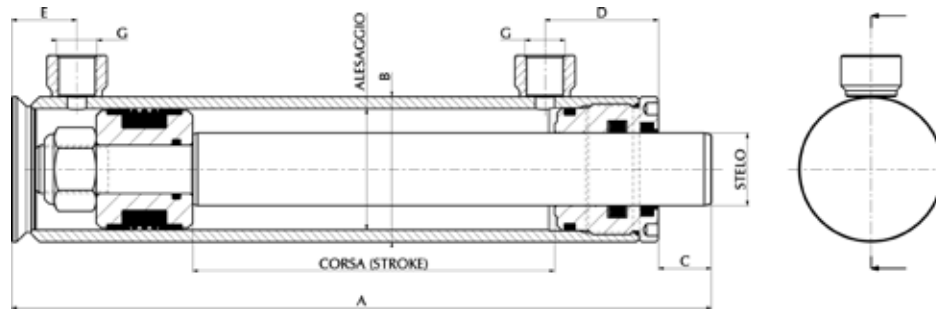
CILINDRI A DOPPIO EFFETTO SENZA SUPPORTI D'ATTACCO
VERINS A DOUBLE EFFET SANS FIXATION
HYDRAULIC CYLINDERS DOUBLE ACTING WITHOUT ENDS
HYDRAULISCHE ZYLINDER DOPPELWIRKEND OHNE ANSCHLÜSSE
CILINDROS DOBLE EFECTO SIN FISACIONES
ЦИЛИНДРЫ ДВОЙНОГО ДЕЙСТВИЯ БЕЗ ОПОР КРЕПЛЕНИЯ


Pressione esercizio 180 bar. Pressione di picco: massimo 250 bar. Temperatura: -25° / +80° C. Barra cromata: acciaio Uni C45. Spessore cromatura: Cromo 25 Micron +/- 5. Tubo: Acciaio Din 2393 - Iso H9. 05176

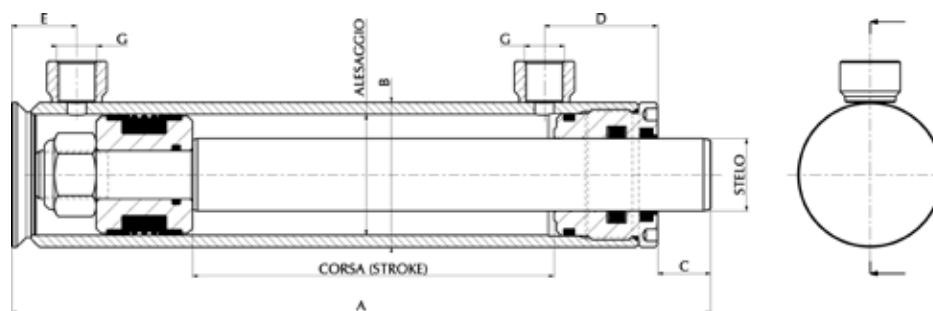
Art./Ref.	Alesaggio/Cylinder bore	Stelo Ø/Rod Ø	Corsa/Stroke	A mm	B mm	C mm	D mm	E mm	G mm	Kit testa-kit pistone/Rod guide kit-piston kit
82642	25	16	50	150	35	25	28	20	G1/4"	
82643	25	16	100	200	35	25	28	20	G 1/4"	OAS160GCA - 06138
82644	25	16	150	250	35	25	28	20	G 1/4	OAS160GCA - 06138
82645	25	16	200	300	35	25	28	20	G 1/4"	OAS160GCA - 06138
82646	25	16	250	350	35	25	28	20	G 1/4"	OAS160GCA - 06138
82647	25	16	300	400	35	25	28	20	G 1/4"	OAS160GCA - 06138
81100	32	20	50	180	40	29	35	23	G 1/4"	OAS3220GC - 80723
81101	32	20	100	230	40	29	35	23	G 1/4"	OAS3220GC - 80723
81102	32	20	150	280	40	29	35	23	G 1/4"	OAS3220GC - 80723
81103	32	20	200	330	40	29	35	23	G 1/4"	OAS3220GC - 80723
81104	32	20	250	380	40	29	35	23	G 1/4"	OAS3220GC - 80723
81105	32	20	300	430	40	29	35	23	G 1/4"	OAS3220GC - 80723
81106	32	20	350	480	40	29	35	23	G 1/4"	OAS3220GC - 80723
81107	32	20	400	530	40	29	35	23	G 1/4"	OAS3220GC - 80723
81108	32	20	450	580	40	29	35	23	G 1/4"	OAS3220GC - 80723
81109	32	20	500	630	40	29	35	23	G 1/4"	OAS3220GC - 80723
81110	32	20	550	680	40	29	35	23	G 1/4"	OAS3220GC - 80723
81111	32	20	600	730	40	29	35	23	G 1/4"	OAS3220GC - 80723
81140	40	20	50	180	50	22	44	23	G 1/4"	OAS4020GC - 06130
37219	40	20	100	230	50	22	44	23	G 1/4"	OAS4020GC - 06130
17288	40	20	150	280	50	22	44	23	G 1/4"	OAS4020GC - 06130
17289	40	20	200	330	50	22	44	23	G 1/4"	OAS4020GC - 06130
17290	40	20	250	380	50	22	44	23	G 1/4"	OAS4020GC - 06130
17291	40	20	300	430	50	22	44	23	G 1/4"	OAS4020GC - 06130
17553	40	20	350	480	50	22	44	23	G 1/4"	OAS4020GC - 06130
17292	40	20	400	530	50	22	44	23	G 1/4"	OAS4020GC - 06130
17554	40	20	450	580	50	22	44	23	G 1/4"	OAS4020GC - 06130
81141	40	20	500	630	50	22	44	23	G 1/4"	OAS4020GC - 06130
81142	40	20	550	680	50	22	44	23	G 1/4"	OAS4020GC - 06130
81143	40	20	600	730	50	22	44	23	G 1/4"	OAS4020GC - 06130
81144	40	20	650	780	50	22	44	23	G 1/4"	OAS4020GC - 06130
81145	40	20	700	830	50	22	44	23	G 1/4"	OAS4020GC - 06130
81146	40	20	750	880	50	22	44	23	G 1/4"	OAS4020GC - 06130
81147	40	20	800	930	50	22	44	23	G 1/4"	OAS4020GC - 06130
81148	40	20	850	980	50	22	44	23	G 1/4"	OAS4020GC - 06130
81149	40	20	900	1030	50	22	44	23	G 1/4"	OAS4020GC - 06130



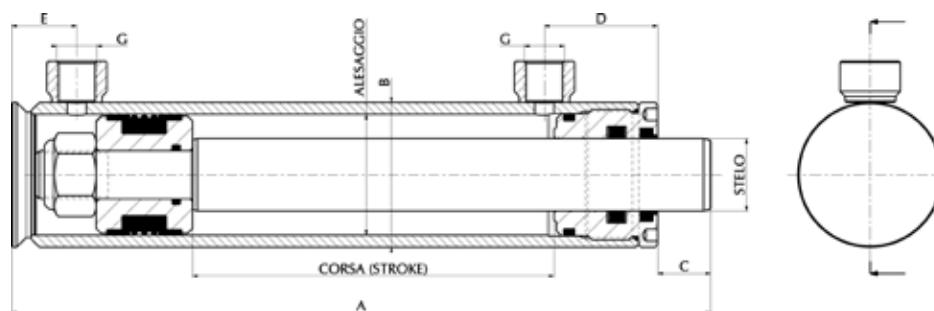
Art./Ref.	Alesaggio/Cylinder bore	Stelo Ø/Rod Ø	Corsa/Stroke	A mm	B mm	C mm	D mm	E mm	G mm	Kit testa-kit pistone/Rod guide kit-piston kit
81150	40	20	950	1080	50	22	44	23	G 1/4"	0AS4020GC - 06130
81151	40	20	1000	1130	50	22	44	23	G 1/4"	0AS4020GC - 06130
81152	40	25	50	180	50	22	44	23	G 1/4"	0AS4025GC - 06130
81153	40	25	100	230	50	22	44	23	G 1/4"	0AS4025GC - 06130
04928	40	25	150	280	50	22	44	23	G 1/4"	0AS4025GC - 06130
04929	40	25	200	330	50	22	44	23	G 1/4"	0AS4025GC - 06130
04930	40	25	250	380	50	22	44	23	G 1/4"	0AS4025GC - 06130
04931	40	25	300	430	50	22	44	23	G 1/4"	0AS4025GC - 06130
17555	40	25	350	480	50	22	44	23	G 1/4"	0AS4025GC - 06130
04932	40	25	400	530	50	22	44	23	G 1/4"	0AS4025GC - 06130
17556	40	25	450	580	50	22	44	23	G 1/4"	0AS4025GC - 06130
37220	40	25	500	630	50	22	44	23	G 1/4"	0AS4025GC - 06130
81154	40	25	550	680	50	22	44	23	G 1/4"	0AS4025GC - 06130
37221	40	25	600	730	50	22	44	23	G 1/4"	0AS4025GC - 06130
81155	40	25	650	780	50	22	44	23	G 1/4"	0AS4025GC - 06130
81156	40	25	700	830	50	22	44	23	G 1/4"	0AS4025GC - 06130
81157	40	25	750	880	50	22	44	23	G 1/4"	0AS4025GC - 06130
81158	40	25	800	930	50	22	44	23	G 1/4"	0AS4025GC - 06130
81159	40	25	850	980	50	22	44	23	G 1/4"	0AS4025GC - 06130
81160	40	25	900	1030	50	22	44	23	G 1/4"	0AS4025GC - 06130
81161	40	25	950	1080	50	22	44	23	G 1/4"	0AS4025GC - 06130
81162	40	25	1000	1130	50	22	44	23	G 1/4"	0AS4025GC - 06130
37222	50	25	100	240	60	22	47	27	G 3/8"	0ASS025GC - 06132
17293	50	25	150	290	60	22	47	27	G 3/8"	0ASS025GC - 06132
17294	50	25	200	340	60	22	47	27	G 3/8"	0ASS025GC - 06132
17295	50	25	250	390	60	22	47	27	G 3/8"	0ASS025GC - 06132
17296	50	25	300	440	60	22	47	27	G 3/8"	0ASS025GC - 06132
17557	50	25	350	490	60	22	47	27	G 3/8"	0ASS025GC - 06132
17297	50	25	400	540	60	22	47	27	G 3/8"	0ASS025GC - 06132
17558	50	25	450	590	60	22	47	27	G 3/8"	0ASS025GC - 06132
17298	50	25	500	640	60	22	47	27	G 3/8"	0ASS025GC - 06132
17559	50	25	550	690	60	22	47	27	G 3/8"	0ASS025GC - 06132
17299	50	25	600	740	60	22	47	27	G 3/8"	0ASS025GC - 06132
81163	50	25	650	790	60	22	47	27	G 3/8"	0ASS025GC - 06132
81164	50	25	700	840	60	22	47	27	G 3/8"	0ASS025GC - 06132
81165	50	25	750	890	60	22	47	27	G 3/8"	0ASS025GC - 06132
37223	50	25	800	940	60	22	47	27	G 3/8"	0ASS025GC - 06132
81166	50	25	850	990	60	22	47	27	G 3/8"	0ASS025GC - 06132
81167	50	25	900	1040	60	22	47	27	G 3/8"	0ASS025GC - 06132
81168	50	25	950	1090	60	22	47	27	G 3/8"	0ASS025GC - 06132
37224	50	25	1000	1140	60	22	47	27	G 3/8"	0ASS025GC - 06132
81169	50	30	100	240	60	22	47	27	G 3/8"	0ASS030GC - 06132
04933	50	30	150	290	60	22	47	27	G 3/8"	0ASS030GC - 06132
04934	50	30	200	340	60	22	47	27	G 3/8"	0ASS030GC - 06132
04935	50	30	250	390	60	22	47	27	G 3/8"	0ASS030GC - 06132
04936	50	30	300	440	60	22	47	27	G 3/8"	0ASS030GC - 06132
17560	50	30	350	490	60	22	47	27	G 3/8"	0ASS030GC - 06132
04937	50	30	400	540	60	22	47	27	G 3/8"	0ASS030GC - 06132
17561	50	30	450	590	60	22	47	27	G 3/8"	0ASS030GC - 06132



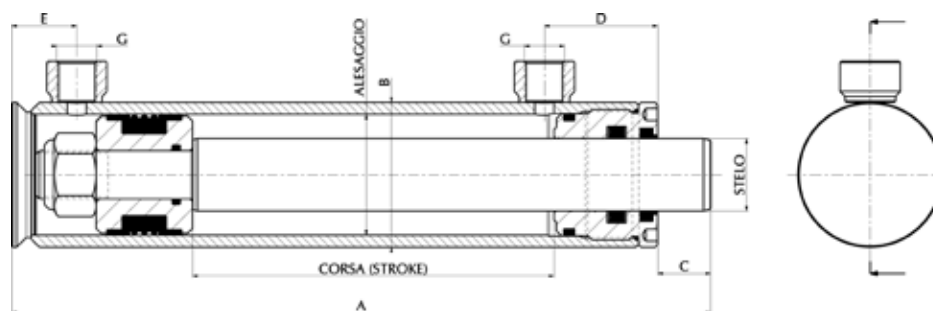
Art./Ref.	Alesaggio/Cylinder bore	Stelo /Rod Ø	Corsa/Stroke	A mm	B mm	C mm	D mm	E mm	G mm	Kit testa-kit pistone/Rod guide kit-piston kit
04938	50	30	500	640	60	22	47	27	G 3/8"	0AS5030GC - 06132
17562	50	30	550	690	60	22	47	27	G 3/8"	0AS5030GC - 06132
04939	50	30	600	740	60	22	47	27	G 3/8"	0AS5030GC - 06132
81196	50	30	700	840	60	22	47	27	G 3/8"	0AS5030GC - 06132
81197	50	30	750	890	60	22	47	27	G 3/8"	0AS5030GC - 06132
37225	50	30	800	940	60	22	47	27	G 3/8"	0AS5030GC - 06132
81199	50	30	900	1040	60	22	47	27	G 3/8"	0AS5030GC - 06132
37226	50	30	1000	1140	60	22	47	27	G 3/8"	0AS5030GC - 06132
17563	60	30	100	260	70	23	54	25	G 3/8"	0AS6030GC - 06133
17300	60	30	150	310	70	23	54	25	G 3/8"	0AS6030GC - 06133
17301	60	30	200	360	70	23	54	25	G 3/8"	0AS6030GC - 06133
17302	60	30	250	410	70	23	54	25	G 3/8"	0AS6030GC - 06133
17303	60	30	300	460	70	23	54	25	G 3/8"	0AS6030GC - 06133
17564	60	30	350	510	70	23	54	25	G 3/8"	0AS6030GC - 06133
17304	60	30	400	560	70	23	54	25	G 3/8"	0AS6030GC - 06133
17565	60	30	450	610	70	23	54	25	G 3/8"	0AS6030GC - 06133
17305	60	30	500	660	70	23	54	25	G 3/8"	0AS6030GC - 06133
17566	60	30	550	710	70	23	54	25	G 3/8"	0AS6030GC - 06133
17306	60	30	600	760	70	23	54	25	G 3/8"	0AS6030GC - 06133
81201	60	30	650	810	70	23	54	25	G 3/8"	0AS6030GC - 06133
81202	60	30	700	860	70	23	54	25	G 3/8"	0AS6030GC - 06133
81203	60	30	750	910	70	23	54	25	G 3/8"	0AS6030GC - 06133
37227	60	30	800	960	70	23	54	25	G 3/8"	0AS6030GC - 06133
81204	60	30	850	1010	70	23	54	25	G 3/8"	0AS6030GC - 06133
81205	60	30	900	1060	70	23	54	25	G 3/8"	0AS6030GC - 06133
81206	60	30	950	1110	70	23	54	25	G 3/8"	0AS6030GC - 06133
37228	60	30	1000	1160	70	23	54	25	G 3/8"	0AS6030GC - 06133
17567	60	35	100	260	70	23	54	25	G 3/8"	06133 - 0AS6035GC
17568	60	35	150	310	70	23	54	25	G 3/8"	06133 - 0AS6035GC
17307	60	35	200	360	70	23	54	25	G 3/8"	06133 - 0AS6035GC
17308	60	35	250	410	70	23	54	25	G 3/8"	06133 - 0AS6035GC
17309	60	35	300	460	70	23	54	25	G 3/8"	06133 - 0AS6035GC
17569	60	35	350	510	70	23	54	25	G 3/8"	06133 - 0AS6035GC
17310	60	35	400	560	70	23	54	25	G 3/8"	06133 - 0AS6035GC
17570	60	35	450	610	70	23	54	25	G 3/8"	06133 - 0AS6035GC
17311	60	35	500	660	70	23	54	25	G 3/8"	06133 - 0AS6035GC
17571	60	35	550	710	70	23	54	25	G 3/8"	06133 - 0AS6035GC
17312	60	35	600	760	70	23	54	25	G 3/8"	06133 - 0AS6035GC
80809	60	35	700	860	70	23	54	25	G 3/8"	06133 - 0AS6035GC
81561	60	35	750	910	70	23	54	25	G 3/8"	06133 - 0AS6035GC
37229	60	35	800	960	70	23	54	25	G 3/8"	06133 - 0AS6035GC
81562	60	35	850	1010	70	23	54	25	G 3/8"	06133 - 0AS6035GC
0603590	60	35	900	1060	70	23	54	25	G 3/8"	06133 - 0AS6035GC
81563	60	35	950	1110	70	23	54	25	G 3/8"	06133 - 0AS6035GC
37230	60	35	1000	1160	70	23	54	25	G 3/8"	06133 - 0AS6035GC
81564	60	40	100	260	70	23	54	25	G 3/8"	0AS6040GC - 18219
81565	60	40	150	310	70	23	54	25	G 3/8"	0AS6040GC - 18219
37241	60	40	200	360	70	23	54	25	G 3/8"	0AS6040GC - 18219
37242	60	40	250	410	70	23	54	25	G 3/8"	0AS6040GC - 18219



Art./Ref.	Alesaggio/Cylinder bore	Stelo Ø/Rod Ø	Corsa/Stroke	A mm	B mm	C mm	D mm	E mm	G mm	Kit testa-kit pistone/Rod guide kit-piston kit
37243	60	40	300	460	70	23	54	25	G 3/8"	0AS6040GC - 18219
37244	60	40	350	510	70	23	54	25	G 3/8"	0AS6040GC - 18219
37245	60	40	400	560	70	23	54	25	G 3/8"	0AS6040GC - 18219
37246	60	40	450	610	70	23	54	25	G 3/8"	0AS6040GC - 18219
37247	60	40	500	660	70	23	54	25	G 3/8"	0AS6040GC - 18219
81566	60	40	550	710	70	23	54	25	G 3/8"	0AS6040GC - 18219
37249	60	40	600	760	70	23	54	25	G 3/8"	0AS6040GC - 18219
0604070	60	40	700	860	70	23	54	25	G 3/8"	0AS6040GC - 18219
37250	60	40	800	960	70	23	54	25	G 3/8"	0AS6040GC - 18219
81569	60	40	850	1010	70	23	54	25	G 3/8"	0AS6040GC - 18219
0604090	60	40	900	1060	70	23	54	25	G 3/8"	0AS6040GC - 18219
81570	60	40	950	1110	70	23	54	25	G 3/8"	0AS6040GC - 18219
37251	60	40	1000	1160	70	23	54	25	G 3/8"	0AS6040GC - 18219
37231	70	35	100	260	80	23	54	25	G 3/8"	0AS7035GC - 06135
37232	70	35	150	310	80	23	54	25	G 3/8"	0AS7035GC - 06135
17319	70	35	200	360	80	23	54	25	G 3/8"	0AS7035GC - 06135
17320	70	35	250	410	80	23	54	25	G 3/8"	0AS7035GC - 06135
17321	70	35	300	460	80	23	54	25	G 3/8"	0AS7035GC - 06135
17572	70	35	350	510	80	23	54	25	G 3/8"	0AS7035GC - 06135
17322	70	35	400	560	80	23	54	25	G 3/8"	0AS7035GC - 06135
17573	70	35	450	610	80	23	54	25	G 3/8"	0AS7035GC - 06135
17323	70	35	500	660	80	23	54	25	G 3/8"	0AS7035GC - 06135
17574	70	35	550	710	80	23	54	25	G 3/8"	0AS7035GC - 06135
17324	70	35	600	760	80	23	54	25	G 3/8"	0AS7035GC - 06135
0703565	70	35	650	810	80	23	54	25	G 3/8"	0AS7035GC - 06135
0703570	70	35	700	860	80	23	54	25	G 3/8"	0AS7035GC - 06135
0703575	70	35	750	910	80	23	54	25	G 3/8"	0AS7035GC - 06135
37233	70	35	800	960	80	23	54	25	G 3/8"	0AS7035GC - 06135
81584	70	35	850	1010	80	23	54	25	G 3/8"	0AS7035GC - 06135
0703590	70	35	900	1060	80	23	54	23	G 3/8"	0AS7035GC - 06135
81585	70	35	950	1110	80	23	54	25	G 3/8"	0AS7035GC - 06135
37234	70	35	1000	1160	80	23	54	25	G 3/8"	0AS7035GC - 06135
070410	70	40	100	260	80	23	54	25	G 3/8"	06135 - 0AS7040GC
070415	70	40	150	310	80	23	54	25	G 3/8"	06135 - 0AS7040GC
04946	70	40	200	360	80	23	54	25	G 3/8"	06135 - 0AS7040GC
04947	70	40	250	410	80	23	54	25	G 3/8"	06135 - 0AS7040GC
04948	70	40	300	460	80	23	54	25	G 3/8"	06135 - 0AS7040GC
17575	70	40	350	510	80	23	54	25	G 3/8"	06135 - 0AS7040GC
04949	70	40	400	560	80	23	54	25	G 3/8"	06135 - 0AS7040GC
17576	70	40	450	610	80	23	54	25	G 3/8"	06135 - 0AS7040GC
04950	70	40	500	660	80	23	54	25	G 3/8"	06135 - 0AS7040GC
17577	70	40	550	710	80	23	54	25	G 3/8"	06135 - 0AS7040GC
04951	70	40	600	760	80	23	54	25	G 3/8"	06135 - 0AS7040GC
81586	70	40	650	810	80	23	54	25	G 3/8"	06135 - 0AS7040GC
0704070	70	40	700	860	80	23	54	25	G 3/8"	06135 - 0AS7040GC
0407075	70	40	750	860	80	23	54	25	G 3/8"	06135 - 0AS7040GC
37235	70	40	800	960	80	23	54	25	G 3/8"	06135 - 0AS7040GC
81587	70	40	850	1010	80	23	54	25	G 3/8"	06135 - 0AS7040GC



Art./Ref.	Alesaggio/Cylinder bore	Stelo Ø/Rod Ø	Corsa/Stroke	A mm	B mm	C mm	D mm	E mm	G mm	Kit testa-kit pistone/Rod guide kit-piston kit
81588	70	40	900	1060	80	23	54	25	G 3/8"	06135 - 0AS7040GC
37236	70	40	1000	1160	80	23	54	25	G 3/8"	06135 - 0AS7040GC
81590	80	40	100	275	95	25	64	25	G 3/8"	06136 - 0AS8040GC
0804015	80	40	150	325	95	25	64	25	G 3/8"	06136 - 0AS8040GC
04952	80	40	200	375	95	25	64	25	G 3/8"	06136 - 0AS8040GC
04953	80	40	250	425	95	25	64	25	G 3/8"	06136 - 0AS8040GC
04954	80	40	300	475	95	25	64	25	G 3/8"	06136 - 0AS8040GC
0804035	80	40	350	525	95	25	64	25	G 3/8"	06136 - 0AS8040GC
04955	80	40	400	575	95	25	64	25	G 3/8"	06136 - 0AS8040GC
0804045	80	40	450	625	95	25	64	25	G 3/8"	06136 - 0AS8040GC
04956	80	40	500	675	95	25	64	25	G 3/8"	06136 - 0AS8040GC
81591	80	40	550	725	95	25	64	25	G 3/8"	06136 - 0AS8040GC
04957	80	40	600	775	95	25	64	25	G 3/8"	06136 - 0AS8040GC
81592	80	40	650	825	95	25	64	25	G 3/8"	06136 - 0AS8040GC
0804070	80	40	700	875	95	25	64	25	G 3/8"	06136 - 0AS8040GC
81593	80	40	750	925	95	25	64	25	G 3/8"	06136 - 0AS8040GC
37237	80	40	800	975	95	25	64	25	G 3/8"	06136 - 0AS8040GC
81594	80	40	850	1025	95	25	64	25	G 3/8"	06136 - 0AS8040GC
81595	80	40	900	1075	95	25	64	25	G 3/8"	06136 - 0AS8040GC
81596	80	40	950	1125	95	25	64	25	G 3/8"	06136 - 0AS8040GC
37238	80	40	1000	1175	95	25	64	25	G 3/8"	06136 - 0AS8040GC
81597	80	50	100	275	95	25	64	25	G 3/8"	06136 - 0AS8050GC
81598	80	50	150	325	95	25	64	25	G 3/8"	06136 - 0AS8050GC
17325	80	50	200	375	95	25	64	25	G 3/8"	06136 - 0AS8050GC
17326	80	50	250	425	95	25	64	25	G 3/8"	06136 - 0AS8050GC
17327	80	50	300	475	95	25	64	25	G 3/8"	06136 - 0AS8050GC
0805035	80	50	350	525	95	25	64	25	G 3/8"	06136 - 0AS8050GC
17328	80	50	400	575	95	25	64	25	G 3/8"	06136 - 0AS8050GC
0805045	80	50	450	625	95	25	64	25	G 3/8"	06136 - 0AS8050GC
17329	80	50	500	675	95	25	64	25	G 3/8"	06136 - 0AS8050GC
0805055	80	50	550	725	95	25	64	25	G 3/8"	06136 - 0AS8050GC
17330	80	50	600	775	95	25	64	25	G 3/8"	06136 - 0AS8050GC
81599	80	50	650	825	95	25	64	25	G 3/8"	06136 - 0AS8050GC
0805070	80	50	700	875	95	25	64	25	G 3/8"	06136 - 0AS8050GC
0805075	80	50	750	925	95	25	64	25	G 3/8"	06136 - 0AS8050GC
37239	80	50	800	975	95	25	64	25	G 3/8"	06136 - 0AS8050GC
81600	80	50	850	1025	95	25	64	25	G 3/8"	06136 - 0AS8050GC
0805090	80	50	900	1075	95	25	64	25	G 3/8"	06136 - 0AS8050GC
81601	80	50	950	1125	95	25	64	25	G 3/8"	06136 - 0AS8050GC
37240	80	50	1000	1175	95	25	64	25	G 3/8"	06136 - 0AS8050GC
0905010	90	50	100	290	105	37	64	28	G 3/8"	0AS9050GC - 06137
81632	90	50	150	340	105	37	64	28	G 3/8"	0AS9050GC - 06137
81633	90	50	200	390	105	37	64	28	G 3/8"	0AS9050GC - 06137
0905025	90	50	250	440	105	37	64	28	G 3/8"	0AS9050GC - 06137
0905030	90	50	300	490	105	37	64	28	G 3/8"	0AS9050GC - 06137
81634	90	50	350	540	105	37	64	28	G 3/8"	0AS9050GC - 06137
0905040	90	50	400	590	105	37	64	28	G 3/8"	0AS9050GC - 06137
81635	90	50	450	640	105	37	64	28	G 3/8"	0AS9050GC - 06137



Art./Ref.	Alesaggio/Cylinder bore	Stelo Ø/Rod Ø	Corsa/Stroke	A mm	B mm	C mm	D mm	E mm	G mm	Kit testa-kit pistone/Rod guide kit-piston kit
0905050	90	50	500	690	105	37	64	28	G 3/8"	0AS9050GC - 06137
81636	90	50	550	740	105	37	64	28	G 3/8"	0AS9050GC - 06137
0905060	90	50	600	790	105	37	64	28	G 3/8"	0AS9050GC - 06137
81637	90	50	650	840	105	37	64	28	G 3/8"	0AS9050GC - 06137
81638	90	50	700	890	105	37	64	28	G 3/8"	0AS9050GC - 06137
0905075	90	50	750	940	105	37	64	28	G 3/8"	0AS9050GC - 06137
81639	90	50	800	990	105	37	64	28	G 3/8"	0AS9050GC - 06137
81640	90	50	850	1040	105	37	64	28	G 3/8"	0AS9050GC - 06137
81641	90	50	900	1090	105	37	64	28	G 3/8"	0AS9050GC - 06137
81642	90	50	950	1140	105	37	64	28	G 3/8"	0AS9050GC - 06137
09050100	90	50	1000	1190	105	37	64	28	G 3/8"	0AS9050GC - 06137
81643	100	50	100	290	115	25	66	28	G 3/8"	0AS150GCA - 06138
81644	100	50	150	340	115	25	66	28	G 3/8"	0AS150GCA - 06138
0A15020	100	50	200	390	115	25	66	28	G 3/8"	0AS150GCA - 06138
17341	100	50	250	440	115	25	66	28	G 3/8"	0AS150GCA - 06138
17342	100	50	300	490	115	25	66	28	G 3/8"	0AS150GCA - 06138
81645	100	50	350	540	115	25	66	28	G 3/8"	0AS150GCA - 06138
17343	100	50	400	590	115	25	66	28	G 3/8"	0AS150GCA - 06138
81646	100	50	450	640	115	25	66	28	G 3/8"	0AS150GCA - 06138
17344	100	50	500	690	115	25	66	28	G 3/8"	0AS150GCA - 06138
81647	100	50	550	740	115	25	66	28	G 3/8"	0AS150GCA - 06138
17345	100	50	600	790	115	25	66	28	G 3/8"	0AS150GCA - 06138
81648	100	50	650	840	115	25	66	28	G 3/8"	0AS150GCA - 06138
0A15070	100	50	700	890	115	25	66	28	G 3/8"	0AS150GCA - 06138
81649	100	50	750	940	115	25	66	28	G 3/8"	0AS150GCA - 06138
81650	100	50	800	990	115	25	66	28	G 3/8"	0AS150GCA - 06138
0A150100	100	50	1000	1190	115	25	66	28	G 3/8"	0AS150GCA - 06138
81654	100	60	100	290	115	25	66	28	G 3/8"	0AS160GCA - 06138
0A16015	100	60	150	340	115	25	66	28	G 3/8"	0AS160GCA - 06138
81655	100	60	200	390	115	25	66	28	G 3/8"	0AS160GCA - 06138
17346	100	60	250	440	115	25	66	28	G 3/8"	0AS160GCA - 06138
17347	100	60	300	490	115	25	66	28	G 3/8"	0AS160GCA - 06138
81656	100	60	350	540	115	25	66	28	G 3/8"	0AS160GCA - 06138
17348	100	60	400	590	115	25	66	28	G 3/8"	0AS160GCA - 06138
81657	100	60	450	640	115	25	66	28	G 3/8"	0AS160GCA - 06138
17349	100	60	500	690	115	25	66	28	G 3/8"	0AS160GCA - 06138
81658	100	60	550	740	115	25	66	28	G 3/8"	0AS160GCA - 06138
17350	100	60	600	790	115	25	66	28	G 3/8"	0AS160GCA - 06138
81659	100	60	650	840	115	25	66	28	G 3/8"	0AS160GCA - 06138
0A16070	100	60	700	890	115	25	66	28	G 3/8"	0AS160GCA - 06138
81660	100	60	750	940	115	25	66	28	G 3/8"	0AS160GCA - 06138
0A16080	100	60	800	990	115	25	66	28	G 3/8"	0AS160GCA - 06138
81661	100	60	850	1040	115	25	66	28	G 3/8"	0AS160GCA - 06138
80792	100	60	900	1090	115	25	66	28	G 3/8"	0AS160GCA - 06138
81663	100	60	950	1140	115	25	66	28	G 3/8"	0AS160GCA - 06138
81664	100	60	1000	1190	115	25	66	28	G 3/8"	0AS160GCA - 06138

CILINDRO CON FONDELLO FORATO

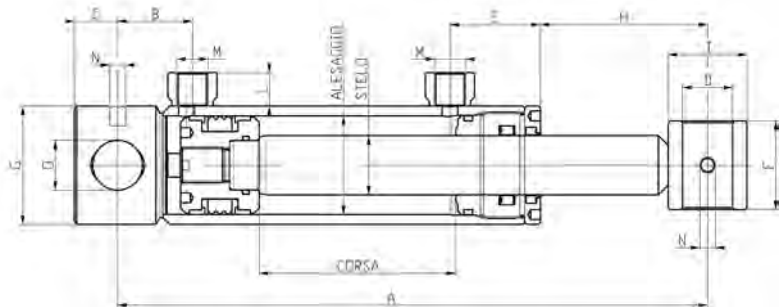
VERIN AVEC FONDS PERÇE

CYLINDER WITH BOTTOM PERFORATED

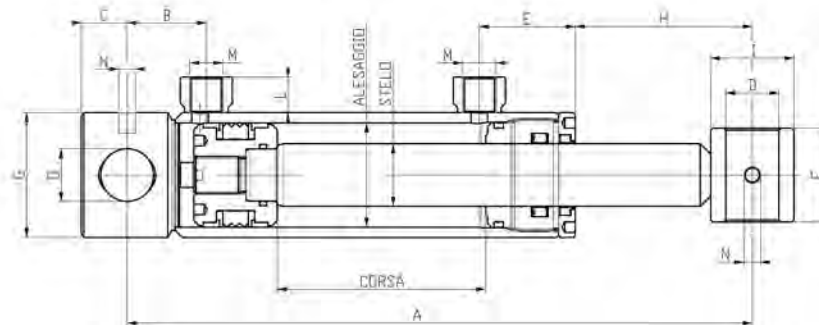
ZYLINDER MIT GEBORTEN BODEN

CILINDRO CON BASE PERFORADA

ЦИЛИНДР С ПЕРФОРИРОВАННОЙ КРЫШКОЙ

Disponibili da maggio 2018
Available to May 2018

Art./Ref.	Alesaggio/Cylinder bore	Stelo Ø/Rod Ø	Corsa/Stroke	A mm	B mm	C mm	D mm	E mm	F mm	G mm	H mm	I mm	L mm	M mm	N mm	O mm
NOCDE322005	32	20	50	205	28.5	14	16	35	35	40	61	30	16	1/4"	M6x1	16.25
NOCDE322010	32	20	100	255	28.5	14	16	35	35	40	61	30	16	1/4"	M6x1	16.25
NOCDE322015	32	20	150	305	28.5	14	16	35	35	40	61	30	16	1/4"	M6x1	16.25
NOCDE322020	32	20	200	355	28.5	14	16	35	35	40	61	30	16	1/4"	M6x1	16.25
NOCDE322030	32	20	300	455	28.5	14	16	35	35	40	61	30	16	1/4"	M6x1	16.25
NOCDE322040	32	20	400	555	28.5	14	16	35	35	40	61	30	16	1/4"	M6x1	16.25
NOCDE322050	32	20	500	655	28.5	14	16	35	35	40	61	30	16	1/4"	M6x1	16.25
NOCDE322060	32	20	600	755	28.5	14	16	35	35	40	61	30	16	1/4"	M6x1	16.25
NOCDE322070	32	20	700	855	28.5	14	16	35	35	40	61	30	16	1/4"	M6x1	16.25
NOCDE402510	40	25	100	270	34	18	20.5	40	40	50	65	35	17	3/8"	M6x1	20.25
NOCDE402520	40	25	200	370	34	18	20.5	40	40	50	65	35	17	3/8"	M6x1	20.25
NOCDE402530	40	25	300	470	34	18	20.5	40	40	50	65	35	18	3/8"	M6x1	20.25
NOCDE402540	40	25	400	570	34	18	20.5	40	40	50	65	35	17	3/8"	M6x1	20.25
NOCDE402550	40	25	500	670	34	18	20.5	40	40	50	65	35	17	3/8"	M6x1	20.25
NOCDE402560	40	25	600	770	34	18	20.5	40	40	50	65	35	17	3/8"	M6x1	20.25
NOCDE402570	40	25	700	870	34	18	20.5	40	40	50	65	35	17	3/8"	M6x1	20.25
NOCDE402580	40	25	800	970	34	18	20.5	40	40	50	65	35	17	3/8"	M6x1	20.25
NOCDE4025100	40	25	1000	1170	34	18	20.5	40	40	50	65	35	17	3/8"	M6x1	20.25
NOCDE503010	50	30	100	300	38	22	25.5	46	45	60	85	40	17	3/8"	M8x1	25.25
NOCDE503015	50	30	150	350	38	22	25.5	46	45	60	85	40	17	3/8"	M8x1	25.25
NOCDE503020	50	30	200	400	38	22	25.5	46	45	60	85	40	17	3/8"	M8x1	25.25
NOCDE503030	50	30	300	500	38	22	25.5	46	45	60	85	40	17	3/8"	M8x1	25.25
NOCDE503040	50	30	400	600	38	22	25.5	46	45	60	85	40	17	3/8"	M8x1	25.25
NOCDE503050	50	30	500	700	38	22	25.5	46	45	60	85	40	17	3/8"	M8x1	25.25
NOCDE503060	50	30	600	800	38	22	25.5	46	45	60	85	40	17	3/8"	M8x1	25.25
NOCDE503070	50	30	700	900	38	22	25.5	46	45	60	85	40	17	3/8"	M8x1	25.25
NOCDE503080	50	30	800	1000	38	22	25.5	46	45	60	85	40	17	3/8"	M8x1	25.25
NOCDE503090	50	30	900	1100	38	22	25.5	46	45	60	85	40	17	3/8"	M8x1	25.25
NOCDE5030100	50	30	1000	1200	38	22	25.5	46	45	60	85	40	17	3/8"	M8x1	25.25
NOCDE603010	60	30	100	300	34	22	25.5	52	45	70	83	40	17	3/8"	M8x1	25.25
NOCDE603020	60	30	200	400	34	22	25.5	52	45	70	83	40	17	3/8"	M8x1	25.25
NOCDE603030	60	30	300	500	34	22	25.5	52	45	70	83	40	17	3/8"	M8x1	25.25
NOCDE603040	60	30	400	600	34	22	25.5	52	45	70	83	40	17	3/8"	M8x1	25.25
NOCDE603050	60	30	500	700	34	22	25.5	52	45	70	83	40	17	3/8"	M8x1	25.25
NOCDE603060	60	30	600	800	34	22	25.5	52	45	70	83	40	17	3/8"	M8x1	25.25
NOCDE603070	60	30	700	900	34	22	25.5	52	45	70	83	40	17	3/8"	M8x1	25.25
NOCDE704020	70	40	200	410	38	28	30.5	51	55	80	82	50	17	3/8"	M8x1	30.25
NOCDE704030	70	40	300	510	38	28	30.5	51	55	80	82	50	17	3/8"	M8x1	30.25
NOCDE704040	70	40	400	610	38	28	30.5	51	55	80	82	50	17	3/8"	M8x1	30.25
NOCDE704050	70	40	500	710	38	28	30.5	51	55	80	82	50	17	3/8"	M8x1	30.25
NOCDE704060	70	40	600	810	38	28	30.5	51	55	80	82	50	17	3/8"	M8x1	30.25
NOCDE704070	70	40	700	910	38	28	30.5	51	55	80	82	50	17	3/8"	M8x1	30.25



Art./Ref.	Alesaggio/Cylinder bore	Stelo Ø/Rod Ø	Corsa/Stroke	A mm	B mm	C mm	D mm	E mm	F mm	G mm	H mm	I mm	L mm	M mm	N mm	O mm
NOCDE704080	70	40	800	1010	38	28	30.5	51	55	80	82	50	17	3/8"	M8x1	30.25
NOCDE7040100	70	40	1000	1210	38	28	30.5	51	55	80	82	50	17	3/8"	M8x1	30.25
NOCDE804020	80	40	200	410	40	28	30.5	60	55	90	70	50	17	3/8"	M8x1	30.25
NOCDE804030	80	40	300	510	40	28	30.5	60	55	90	70	50	17	3/8"	M8x1	30.25
NOCDE804040	80	40	400	610	40	28	30.5	60	55	90	70	50	17	3/8"	M8x1	30.25
NOCDE804050	80	40	500	710	40	28	30.5	60	55	90	70	50	17	3/8"	M8x1	30.25
NOCDE804060	80	40	600	810	40	28	30.5	60	55	90	70	50	17	3/8"	M8x1	30.25
NOCDE804070	80	40	700	910	40	28	30.5	60	55	90	70	50	17	3/8"	M8x1	30.25
NOCDE1005030	100	50	300	525	52.5	28	30.5	64	70	115	75	65	18	1/2"	M10x1	30.25
NOCDE1005040	100	50	400	625	52.5	28	30.5	64	70	115	75	65	18	1/2"	M10x1	30.25
NOCDE1005050	100	50	500	725	52.5	28	30.5	64	70	115	75	65	18	1/2"	M10x1	30.25
NOCDE1005070	100	50	700	925	52.5	28	30.5	64	70	115	75	65	18	1/2"	M10x1	30.25
NOCDE1005090	100	50	900	1125	52.5	28	30.5	64	70	115	75	65	18	1/2"	M10x1	30.25
NOCDE1207050	120	70	500	770	67	40	40.5	67	80	140	90	80	18	1/2"	M10x1	40.5
NOCDE12070100	120	70	1000	1270	67	40	40.5	67	80	140	90	80	18	1/2"	M10x1	40.5

CILINDRI A DOPPIO EFFETTO CON SNODI

VERINS A DOUBLE EFFET AVEC ROTULES
 HYDRAULIC CYLINDERS DOUBLE ACTING WITH JOINTS
 HYDRAULISCHE ZYLINDER DOPPELWIRKEND MIT GELENKE
 CILINDROS DOBLE EFECTO CON COJINETES
 ЦИЛИНДРЫ ДВОЙНОГО ДЕЙСТВИЯ С ШАРНИРОМ

Caratteristiche:

Pressione esercizio 180 bar
 Pressione di picco: massimo 250bar
 Temperatura C° -25°C + 80°C
 Barra cromata: Acciaio UNI C45
 Spessore cromatura: Cromo 25 Micron +/- 5
 Tubo: Acciaio DIN2393 - ISO H9

Working pressure 180 bar

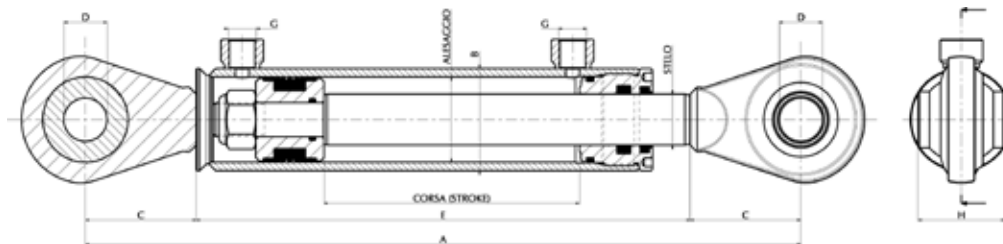
Max pressure 250 bar

Temperature C° -25°C + 80°C

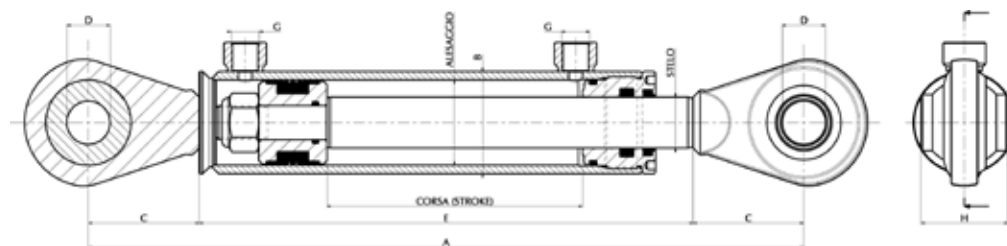
Chrome rod: Steel UNI C45

Thickness chroming: Chrome 25 Micron +/- 5

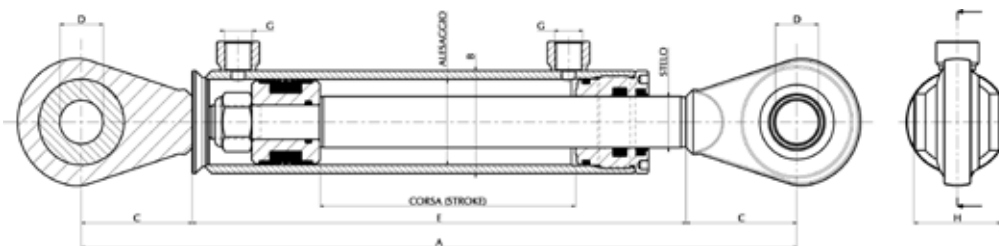
Tube: Steel DIN 2393 - ISO H9



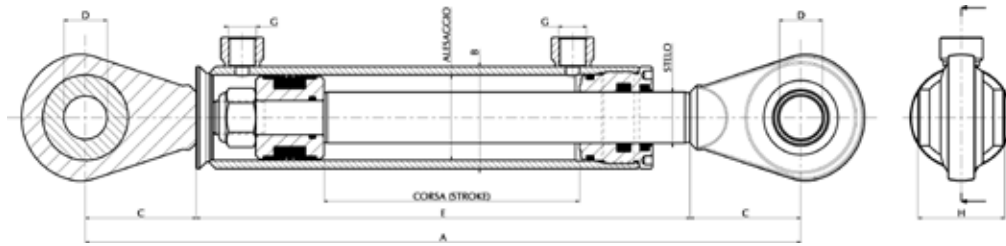
Art./Ref.	Alesaggio/ Cylinder bore	Stelo Ø/Rod Ø	Corsa/ Stroke	A mm	B mm	C mm	D mm	E mm	G mm	H mm	Kit testa-kit pistone/Rod guide kit-piston kit
81291	40	20	50	270	50	45	16	180	G 1/4"	20	0AS4020GC - 06130
81292	40	20	100	320	50	45	16	230	G 1/4"	20	0AS4020GC - 06130
81293	40	20	150	370	50	45	16	280	G 1/4"	20	0AS4020GC - 06130
81294	40	20	200	420	50	45	16	330	G 1/4"	20	0AS4020GC - 06130
81295	40	20	250	470	50	45	16	380	G 1/4"	20	0AS4020GC - 06130
81296	40	20	300	520	50	45	16	430	G 1/4"	20	0AS4020GC - 06130
81297	40	20	350	570	50	45	16	480	G 1/4"	20	0AS4020GC - 06130
81298	40	20	400	620	50	45	16	530	G 1/4"	20	0AS4020GC - 06130



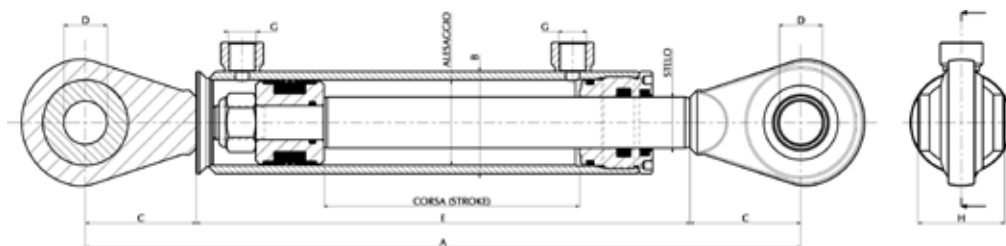
Art./Ref.	Alesaggio/ Cylinder bore	Stelo Ø/Rod Ø	Corsa/ Stroke	A mm	B mm	C mm	D mm	E mm	G mm	H mm	Kit testa-kit pistone/Rod guide kit-piston kit
81299	40	20	450	670	50	45	16	580	G 1/4"	20	OAS4020GC - 06130
81300	40	20	500	720	50	45	16	630	G 1/4"	20	OAS4020GC - 06130
81301	40	20	550	770	50	45	16	680	G 1/4"	20	OAS4020GC - 06130
81302	40	20	600	820	50	45	16	730	G 1/4"	20	OAS4020GC - 06130
81303	40	20	650	870	50	45	16	780	G 1/4"	20	OAS4020GC - 06130
81304	40	20	700	920	50	45	16	830	G 1/4"	20	OAS4020GC - 06130
81305	40	20	750	970	50	45	16	880	G 1/4"	20	OAS4020GC - 06130
81306	40	20	800	1020	50	45	16	930	G 1/4"	20	OAS4020GC - 06130
81307	40	20	850	1070	50	45	16	980	G 1/4"	20	OAS4020GC - 06130
81308	40	20	900	1120	50	45	16	1030	G 1/4"	20	OAS4020GC - 06130
81311	40	25	50	270	50	45	16	180	G 1/4"	20	OAS4025GC - 06130
81312	40	25	100	320	50	45	16	230	G 1/4"	20	OAS4025GC - 06130
81313	40	25	150	370	50	45	16	280	G 1/4"	20	OAS4025GC - 06130
81314	40	25	200	420	50	45	16	330	G 1/4"	20	OAS4025GC - 06130
81315	40	25	250	470	50	45	16	380	G 1/4"	20	OAS4025GC - 06130
81317	40	25	350	570	50	45	16	480	G 1/4"	20	OAS4025GC - 06130
81318	40	25	400	620	50	45	16	530	G 1/4"	20	OAS4025GC - 06130
81319	40	25	450	670	50	45	16	580	G 1/4"	20	OAS4025GC - 06130
81320	40	25	500	720	50	45	16	630	G 1/4"	20	OAS4025GC - 06130
81321	40	25	550	770	50	45	16	680	G 1/4"	20	OAS4025GC - 06130
81322	40	25	600	820	50	45	16	730	G 1/4"	20	OAS4025GC - 06130
81323	40	25	650	870	50	45	16	780	G 1/4"	20	OAS4025GC - 06130
81324	40	25	700	920	50	45	16	830	G 1/4"	20	OAS4025GC - 06130
81325	40	25	750	970	50	45	16	880	G 1/4"	20	OAS4025GC - 06130
81326	40	25	800	1020	50	45	16	930	G 1/4"	20	OAS4025GC - 06130
81327	40	25	850	1070	50	45	16	980	G 1/4"	20	OAS4025GC - 06130
81328	40	25	900	1120	50	45	16	1030	G 1/4"	20	OAS4025GC - 06130
81330	40	25	1000	1220	50	45	16	1130	G 1/4"	20	OAS4025GC - 06130
81331	50	25	100	360	60	60	20	240	G 3/8"	44	OAS5025GC - 06132
81332	50	25	150	410	60	60	20	290	G 3/8"	44	OAS5025GC - 06132
81333	50	25	200	460	60	60	20	340	G 3/8"	44	OAS5025GC - 06132
81334	50	25	250	510	60	60	20	390	G 3/8"	44	OAS5025GC - 06132
81335	50	25	300	560	60	60	20	440	G 3/8"	44	OAS5025GC - 06132
81336	50	25	350	610	60	60	20	490	G 3/8"	44	OAS5025GC - 06132
81337	50	25	400	660	60	60	20	540	G 3/8"	44	OAS5025GC - 06132
81338	50	25	450	710	60	60	20	590	G 3/8"	44	OAS5025GC - 06132
81339	50	25	500	760	60	60	20	640	G 3/8"	44	OAS5025GC - 06132
81340	50	25	550	810	60	60	20	690	G 3/8"	44	OAS5025GC - 06132
81341	50	25	600	860	60	60	20	740	G 3/8"	44	OAS5025GC - 06132
81344	50	25	750	1010	60	60	20	890	G 3/8"	44	OAS5025GC - 06132
81345	50	25	800	1060	60	60	20	940	G 3/8"	44	OAS5025GC - 06132
81346	50	25	850	1110	60	60	20	990	G 3/8"	44	OAS5025GC - 06132
81347	50	25	900	1160	60	60	20	1040	G 3/8"	44	OAS5025GC - 06132
81348	50	25	950	1210	60	60	20	1090	G 3/8"	44	OAS5025GC - 06132
81349	50	25	1000	1260	60	60	20	1140	G 3/8"	44	OAS5025GC - 06132
81350	50	30	100	370	60	65	25.4	240	G 3/8"	51	OAS5030GC - 06132
81351	50	30	150	420	60	65	25.4	290	G 3/8"	51	OAS5030GC - 06132
81352	50	30	200	470	60	65	25.4	340	G 3/8"	51	OAS5030GC - 06132



Art./Ref.	Alesaggio/ Cylinder bore	Stelo Ø/Rod Ø	Corsa/ Stroke	A mm	B mm	C mm	D mm	E mm	G mm	H mm	Kit testa-kit pistone/Rod guide kit-piston kit
81353	50	30	250	520	60	65	25.4	390	G 3/8"	51	OAS5030GC - 06132
81354	50	30	300	570	60	65	25.4	440	G 3/8"	51	OAS5030GC - 06132
81355	50	30	350	620	60	65	25.4	490	G 3/8"	51	OAS5030GC - 06132
81356	50	30	400	670	60	65	25.4	540	G 3/8"	51	OAS5030GC - 06132
81357	50	30	450	720	60	65	25.4	590	G 3/8"	51	OAS5030GC - 06132
81359	50	30	550	820	60	65	25.4	690	G 3/8"	51	OAS5030GC - 06132
81362	50	30	700	970	60	65	25.4	840	G 3/8"	51	OAS5030GC - 06132
81364	50	30	800	1070	60	65	25.4	940	G 3/8"	51	OAS5030GC - 06132
81366	50	30	900	1170	60	65	25.4	1040	G 3/8"	51	OAS5030GC - 06132
81367	50	30	950	1220	60	65	25.4	1090	G 3/8"	51	OAS5030GC - 06132
81368	50	30	1000	1270	60	65	25.4	1140	G 3/8"	51	OAS5030GC - 06132
81369	60	30	100	390	70	65	25.4	260	G 3/8"	51	OAS6030GC - 06133
81370	60	30	150	440	70	65	25.4	310	G 3/8"	51	OAS6030GC - 06133
81373	60	30	300	590	70	65	25.4	460	G 3/8"	51	OAS6030GC - 06133
81374	60	30	350	640	70	65	25.4	510	G 3/8"	51	OAS6030GC - 06133
81376	60	30	450	740	70	65	25.4	610	G 3/8"	51	OAS6030GC - 06133
81377	60	30	500	790	70	65	25.4	660	G 3/8"	51	OAS6030GC - 06133
81378	60	30	550	840	70	65	25.4	710	G 3/8"	51	OAS6030GC - 06133
81379	60	30	600	890	70	65	25.4	760	G 3/8"	51	OAS6030GC - 06133
81380	60	30	650	940	70	65	25.4	810	G 3/8"	51	OAS6030GC - 06133
81381	60	30	700	990	70	65	25.4	860	G 3/8"	51	OAS6030GC - 06133
81382	60	30	750	1040	70	65	25.4	910	G 3/8"	51	OAS6030GC - 06133
81383	60	30	800	1090	70	65	25.4	960	G 3/8"	51	OAS6030GC - 06133
81387	60	30	1000	1290	70	65	25.4	1160	G 3/8"	51	OAS6030GC - 06133
81388	60	35	100	390	70	65	25.4	260	G 3/8"	51	OAS6035GC - 06133
81392	60	35	300	590	70	65	25.4	460	G 3/8"	51	OAS6035GC - 06133
81394	60	35	400	690	70	65	25.4	560	G 3/8"	51	OAS6035GC - 06133
81395	60	35	450	740	70	65	25.4	610	G 3/8"	51	OAS6035GC - 06133
81396	60	35	500	790	70	65	25.4	660	G 3/8"	51	OAS6035GC - 06133
81397	60	35	550	840	70	65	25.4	710	G 3/8"	51	OAS6035GC - 06133
81398	60	35	600	890	70	65	25.4	760	G 3/8"	51	OAS6035GC - 06133
81399	60	35	650	940	70	65	25.4	810	G 3/8"	51	OAS6035GC - 06133
81400	60	35	700	990	70	65	25.4	860	G 3/8"	51	OAS6035GC - 06133
81401	60	35	750	1040	70	65	25.4	910	G 3/8"	51	OAS6035GC - 06133
81402	60	35	800	1090	70	65	25.4	960	G 3/8"	51	OAS6035GC - 06133
81403	60	35	850	1140	70	65	25.4	1010	G 3/8"	51	OAS6035GC - 06133
81404	60	35	900	1190	70	65	25.4	1060	G 3/8"	51	OAS6035GC - 06133
81405	60	35	950	1240	70	65	25.4	1110	G 3/8"	51	OAS6035GC - 06133
81406	60	35	1000	1290	70	65	25.4	1160	G 3/8"	51	OAS6035GC - 06133
81407	60	40	100	390	70	65	25.4	260	G 3/8"	51	OAS6040GC, 18219
81408	60	40	150	440	70	65	25.4	310	G 3/8"	51	OAS6040GC, 18219
81409	60	40	200	490	70	65	25.4	360	G 3/8"	51	OAS6040GC, 18219
81410	60	40	250	540	70	65	25.4	410	G 3/8"	51	OAS6040GC, 18219
81411	60	40	300	590	70	65	25.4	460	G 3/8"	51	OAS6040GC, 18219
81412	60	40	350	640	70	65	25.4	510	G 3/8"	51	OAS6040GC, 18219
81413	60	40	400	690	70	65	25.4	560	G 3/8"	51	OAS6040GC, 18219
81414	60	40	450	740	70	65	25.4	610	G 3/8"	51	OAS6040GC, 18219
81415	60	40	500	790	70	65	25.4	660	G 3/8"	51	OAS6040GC, 18219



Art./Ref.	Alesaggio/ Cylinder bore	Stelo Ø/Rod Ø	Corsa/ Stroke	A mm	B mm	C mm	D mm	E mm	G mm	H mm	Kit testa-kit pistone/Rod guide kit-piston kit
81416	60	40	550	840	70	65	25.4	710	G 3/8"	51	OAS6040GC, 18219
81422	60	40	850	1140	70	65	25.4	1010	G 3/8"	51	OAS6040GC, 18219
81424	60	40	950	1240	70	65	25.4	1110	G 3/8"	51	OAS6040GC, 18219
81425	60	40	1000	1290	70	65	25.4	1160	G 3/8"	51	OAS6040GC, 18219
81445	70	35	100	390	80	65	25.4	260	G 3/8"	51	OAS7035GC - 06135
81446	70	35	150	440	80	65	25.4	310	G 3/8"	51	OAS7035GC - 06135
81447	70	35	200	490	80	65	25.4	360	G 3/8"	51	OAS7035GC - 06135
81448	70	35	250	540	80	65	25.4	410	G 3/8"	51	OAS7035GC - 06135
81449	70	35	300	590	80	65	25.4	460	G 3/8"	51	OAS7035GC - 06135
81450	70	35	350	640	80	65	25.4	510	G 3/8"	51	OAS7035GC - 06135
81451	70	35	400	690	80	65	25.4	560	G 3/8"	51	OAS7035GC - 06135
81452	70	35	450	740	80	65	25.4	610	G 3/8"	51	OAS7035GC - 06135
81453	70	35	500	790	80	65	25.4	660	G 3/8"	51	OAS7035GC - 06135
81454	70	35	550	840	80	65	25.4	710	G 3/8"	51	OAS7035GC - 06135
81455	70	35	600	890	80	65	25.4	760	G 3/8"	51	OAS7035GC - 06135
81456	70	35	650	940	80	65	25.4	810	G 3/8"	51	OAS7035GC - 06135
81457	70	35	700	990	80	65	25.4	860	G 3/8"	51	OAS7035GC - 06135
81458	70	35	750	1040	80	65	25.4	910	G 3/8"	51	OAS7035GC - 06135
81460	70	35	850	1140	80	65	25.4	1010	G 3/8"	51	OAS7035GC - 06135
81461	70	35	900	1190	80	65	25.4	1060	G 3/8"	51	OAS7035GC - 06135
81462	70	35	950	1240	80	65	25.4	1110	G 3/8"	51	OAS7035GC - 06135
81463	70	35	1000	1290	80	65	25.4	1160	G 3/8"	51	OAS7035GC - 06135
81464	70	40	100	390	80	65	25.4	260	G 3/8"	51	OAS7035GC - 06135
81465	70	40	150	440	80	65	25.4	310	G 3/8"	51	OAS7040GC - 06135
81466	70	40	200	490	80	65	25.4	360	G 3/8"	51	OAS7040GC - 06135
81467	70	40	250	540	80	65	25.4	410	G 3/8"	51	OAS7040GC - 06135
81468	70	40	300	590	80	65	25.4	460	G 3/8"	51	OAS7040GC - 06135
81470	70	40	400	690	80	65	25.4	560	G 3/8"	51	OAS7040GC - 06135
81471	70	40	450	740	80	65	25.4	610	G 3/8"	51	OAS7040GC - 06135
81472	70	40	500	790	80	65	25.4	660	G 3/8"	51	OAS7040GC - 06135
81473	70	40	550	840	80	65	25.4	710	G 3/8"	51	OAS7040GC - 06135
81474	70	40	600	890	80	65	25.4	760	G 3/8"	51	OAS7040GC - 06135
81475	70	40	650	940	80	65	25.4	810	G 3/8"	51	OAS7040GC - 06135
81476	70	40	700	990	80	65	25.4	860	G 3/8"	51	OAS7040GC - 06135
81477	70	40	750	1040	80	65	25.4	910	G 3/8"	51	OAS7040GC - 06135
81478	70	40	800	1090	80	65	25.4	960	G 3/8"	51	OAS7040GC - 06135
81479	70	40	850	1140	80	65	25.4	1010	G 3/8"	51	OAS7040GC - 06135
81480	70	40	900	1190	80	65	25.4	1060	G 3/8"	51	OAS7040GC - 06135
81481	70	40	950	1240	80	65	25.4	1110	G 3/8"	51	OAS7040GC - 06135
81482	70	40	1000	1290	80	65	25.4	1160	G 3/8"	51	OAS7040GC - 06135
81483	80	40	100	405	95	65	30	275	G 3/8"	55	OAS8040GC - 06136
81484	80	40	150	455	95	65	30	325	G 3/8"	55	OAS8040GC - 06136
81485	80	40	200	505	95	65	30	375	G 3/8"	55	OAS8040GC - 06136
81486	80	40	250	555	95	65	30	425	G 3/8"	55	OAS8040GC - 06136
81487	80	40	300	605	95	65	30	475	G 3/8"	55	OAS8040GC - 06136
81488	80	40	350	655	95	65	30	525	G 3/8"	55	OAS8040GC - 06136
81489	80	40	400	705	95	65	30	575	G 3/8"	55	OAS8040GC - 06136
81490	80	40	450	755	95	65	30	625	G 3/8"	55	OAS8040GC - 06136



Art./Ref.	Alesaggio/ Cylinder bore	Stelo Ø/Rod Ø	Corsa/ Stroke	A mm	B mm	C mm	D mm	E mm	G mm	H mm	Kit testa-kit pistone/Rod guide kit-piston kit
81491	80	40	500	805	95	65	30	675	G 3/8"	55	OAS8040GC - 06136
81492	80	40	550	855	95	65	30	725	G 3/8"	55	OAS8040GC - 06136
81493	80	40	600	905	95	65	30	775	G 3/8"	55	OAS8040GC - 06136
81494	80	40	650	955	95	65	30	825	G 3/8"	55	OAS8040GC - 06136
81495	80	40	700	1005	95	65	30	875	G 3/8"	55	OAS8040GC - 06136
81496	80	40	750	1055	95	65	30	925	G 3/8"	55	OAS8040GC - 06136
81497	80	40	800	1105	95	65	30	975	G 3/8"	55	OAS8040GC - 06136
81498	80	40	850	1155	95	65	30	1025	G 3/8"	55	OAS8040GC - 06136
81499	80	40	900	1205	95	65	30	1075	G 3/8"	55	OAS8040GC - 06136
81500	80	40	950	1255	95	65	30	1125	G 3/8"	55	OAS8040GC - 06136
81501	80	40	1000	1305	95	65	30	1175	G 3/8"	55	OAS8040GC - 06136
81504	80	50	200	505	95	65	30	375	G 3/8"	55	OAS8050GC - 06136
81505	80	50	250	555	95	65	30	425	G 3/8"	55	OAS8050GC - 06136
81506	80	50	300	605	95	65	30	475	G 3/8"	55	OAS8050GC - 06136
81507	80	50	350	655	95	65	30	525	G 3/8"	55	OAS8050GC - 06136
81508	80	50	400	705	95	65	30	575	G 3/8"	55	OAS8050GC - 06136
81509	80	50	450	755	95	65	30	625	G 3/8"	55	OAS8050GC - 06136
81513	80	50	650	955	95	65	30	825	G 3/8"	55	OAS8050GC - 06136
81514	80	50	700	1005	95	65	30	875	G 3/8"	55	OAS8050GC - 06136
81517	80	50	850	1155	95	65	30	1025	G 3/8"	55	OAS8050GC - 06136
81518	80	50	900	1205	95	65	30	1075	G 3/8"	55	OAS8050GC - 06136
81519	80	50	950	1255	95	65	30	1125	G 3/8"	55	OAS8050GC - 06136
81520	80	50	1000	1305	95	65	30	1175	G 3/8"	55	OAS8050GC - 06136
81521	100	50	100	460	115	85	40	290	G 3/8"	75	OAS150GCA - 06138
81522	100	50	150	510	115	85	40	340	G 3/8"	75	OAS150GCA - 06138
81523	100	50	200	560	115	85	40	390	G 3/8"	75	OAS150GCA - 06138
81524	100	50	250	610	115	85	40	440	G 3/8"	75	OAS150GCA - 06138
81525	100	50	300	660	115	85	40	490	G 3/8"	75	OAS150GCA - 06138
81526	100	50	350	710	115	85	40	540	G 3/8"	75	OAS150GCA - 06138
81527	100	50	400	760	115	85	40	590	G 3/8"	75	OAS150GCA - 06138
81528	100	50	450	810	115	85	40	640	G 3/8"	75	OAS150GCA - 06138
81530	100	50	550	910	115	85	40	740	G 3/8"	75	OAS150GCA - 06138
81531	100	50	600	960	115	85	40	790	G 3/8"	75	OAS150GCA - 06138
81532	100	50	650	1010	115	85	40	840	G 3/8"	75	OAS150GCA - 06138
81533	100	50	700	1060	115	85	40	890	G 3/8"	75	OAS150GCA - 06138
81534	100	50	750	1110	115	85	40	940	G 3/8"	75	OAS150GCA - 06138
81535	100	50	800	1160	115	85	40	990	G 3/8"	75	OAS150GCA - 06138
81539	100	50	1000	1360	115	85	40	1190	G 3/8"	75	OAS150GCA - 06138

CILINDRI A DOPPIO EFFETTO CON SNODI INDUSTRIALI

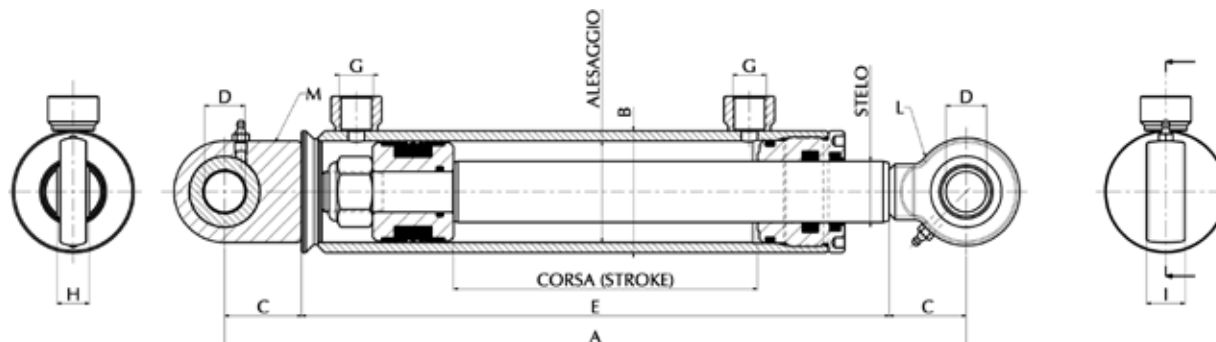
VERINS A DOUBLE EFFET AVEC ROTULES INDUSTRIELLES

HYDRAULIC CYLINDERS DOUBLE ACTING WITH INDUSTRIAL JOINTS

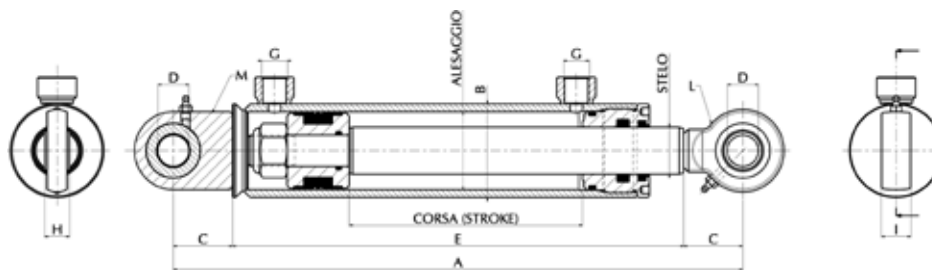
HYDRAULISCHE ZYLINDER DOPPELWIRKEND MIT INDUSTRIELLE GELENKE

CILINDROS DOBLE EFECTO CON COJINETES INDUSTRIALES

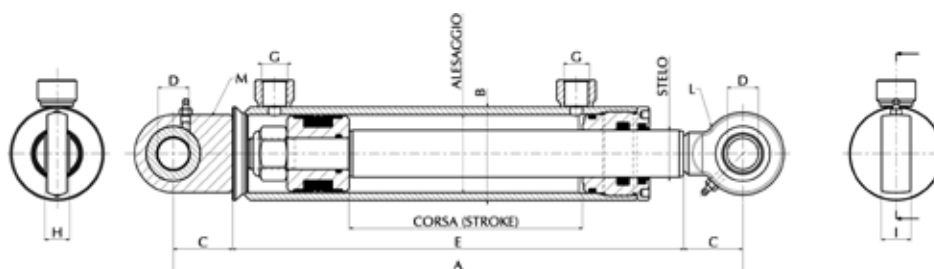
ЦИЛИНДРЫ ДВОЙНОГО ДЕЙСТВИЯ С ПРОМЫШЛЕННЫМ ШАРНИРОМ



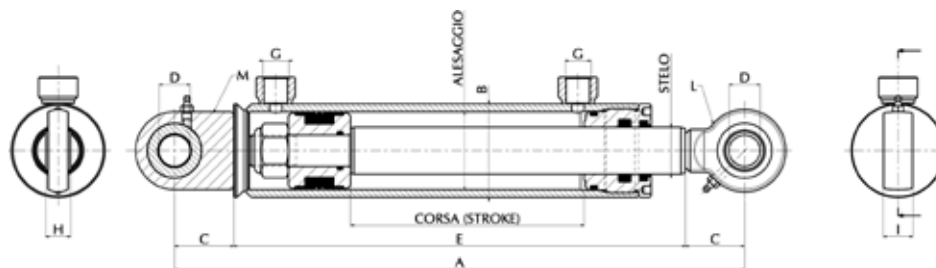
Art./Ref.	Alesaggio/ Cylinder bore	Stelo Ø/ Rod Ø	Corsa/ Stroke	A mm	B mm	C mm	D mm	E mm	G mm	H mm	I mm	L mm	M mm	Kit testa-kit pistone/ Rod guide kit-piston kit
81665	40	20	50	250	50	35	16	180	G 1/4"	14	18	OTS16AR	OTS16PR	OAS4020GC - 06130
81666	40	20	100	300	50	35	16	230	G 1/4"	14	18	OTS16AR	OTS16PR	OAS4020GC - 06130
81667	40	20	150	350	50	35	16	280	G 1/4"	14	18	OTS16AR	OTS16PR	OAS4020GC - 06130
81668	40	20	200	400	50	35	16	330	G 1/4"	14	18	OTS16AR	OTS16PR	OAS4020GC - 06130
81669	40	20	250	450	50	35	16	380	G 1/4"	14	18	OTS16AR	OTS16PR	OAS4020GC - 06130
81670	40	20	300	500	50	35	16	430	G 1/4"	14	18	OTS16AR	OTS16PR	OAS4020GC - 06130
81671	40	20	350	550	50	35	16	480	G 1/4"	14	18	OTS16AR	OTS16PR	OAS4020GC - 06130
81672	40	20	400	600	50	35	16	530	G 1/4"	14	18	OTS16AR	OTS16PR	OAS4020GC - 06130
81673	40	20	450	650	50	35	16	580	G 1/4"	14	18	OTS16AR	OTS16PR	OAS4020GC - 06130
81674	40	20	500	700	50	35	16	630	G 1/4"	14	18	OTS16AR	OTS16PR	OAS4020GC - 06130
81675	40	20	550	750	50	35	16	680	G 1/4"	14	18	OTS16AR	OTS16PR	OAS4020GC - 06130
81676	40	20	600	800	50	35	16	730	G 1/4"	14	18	OTS16AR	OTS16PR	OAS4020GC - 06130
81677	40	20	650	850	50	35	16	780	G 1/4"	14	18	OTS16AR	OTS16PR	OAS4020GC - 06130
81678	40	20	700	900	50	35	16	830	G 1/4"	14	18	OTS16AR	OTS16PR	OAS4020GC - 06130
81679	40	20	750	950	50	35	16	880	G 1/4"	14	18	OTS16AR	OTS16PR	OAS4020GC - 06130
81680	40	20	800	1000	50	35	16	930	G 1/4"	14	18	OTS16AR	OTS16PR	OAS4020GC - 06130
81681	40	20	850	1050	50	35	16	980	G 1/4"	14	18	OTS16AR	OTS16PR	OAS4020GC - 06130
81682	40	20	900	1100	50	35	16	1030	G 1/4"	14	18	OTS16AR	OTS16PR	OAS4020GC - 06130
81683	40	20	950	1150	50	35	16	1080	G 1/4"	14	18	OTS16AR	OTS16PR	OAS4020GC - 06130
81684	40	20	1000	1200	50	35	16	1130	G 1/4"	14	18	OTS16AR	OTS16PR	OAS4020GC - 06130
81685	40	25	50	250	50	35	16	180	G 1/4"	14	18	OTS16AR	OTS16PR	OAS4025GC - 06130
81686	40	25	100	300	50	35	16	230	G 1/4"	14	18	OTS16AR	OTS16PR	OAS4025GC - 06130
81687	40	25	150	350	50	35	16	280	G 1/4"	14	18	OTS16AR	OTS16PR	OAS4025GC - 06130
81689	40	25	250	450	50	35	16	380	G 1/4"	14	18	OTS16AR	OTS16PR	OAS4025GC - 06130
81690	40	25	300	500	50	35	16	430	G 1/4"	14	18	OTS16AR	OTS16PR	OAS4025GC - 06130
81691	40	25	350	550	50	35	16	480	G 1/4"	14	18	OTS16AR	OTS16PR	OAS4025GC - 06130
81692	40	25	400	600	50	35	16	530	G 1/4"	14	18	OTS16AR	OTS16PR	OAS4025GC - 06130
81693	40	25	450	650	50	35	16	580	G 1/4"	14	18	OTS16AR	OTS16PR	OAS4025GC - 06130
81694	40	25	500	700	50	35	16	630	G 1/4"	14	18	OTS16AR	OTS16PR	OAS4025GC - 06130
81695	40	25	550	750	50	35	16	680	G 1/4"	14	18	OTS16AR	OTS16PR	OAS4025GC - 06130
81696	40	25	600	800	50	35	16	730	G 1/4"	14	18	OTS16AR	OTS16PR	OAS4025GC - 06130
81697	40	25	650	850	50	35	16	780	G 1/4"	14	18	OTS16AR	OTS16PR	OAS4025GC - 06130
81698	40	25	700	900	50	35	16	830	G 1/4"	14	18	OTS16AR	OTS16PR	OAS4025GC - 06130
81699	40	25	750	950	50	35	16	880	G 1/4"	14	18	OTS16AR	OTS16PR	OAS4025GC - 06130
81700	40	25	800	1000	50	35	16	930	G 1/4"	14	18	OTS16AR	OTS16PR	OAS4025GC - 06130
81701	40	25	850	1050	50	35	16	980	G 1/4"	14	18	OTS16AR	OTS16PR	OAS4025GC - 06130
81702	40	25	900	1100	50	35	16	1030	G 1/4"	14	18	OTS16AR	OTS16PR	OAS4025GC - 06130
81704	40	25	1000	1200	50	35	16	1130	G 1/4"	14	18	OTS16AR	OTS16PR	OAS4025GC - 06130



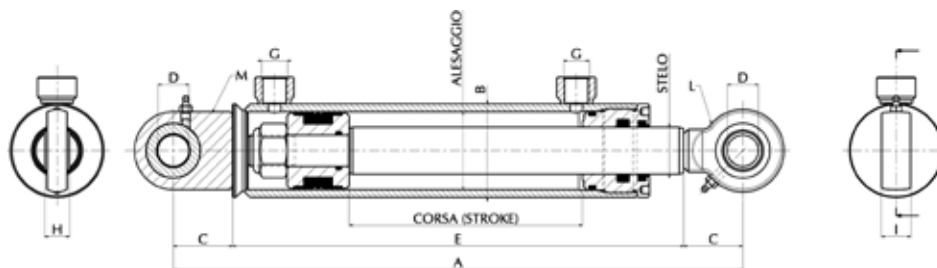
Art./Ref.	Alesaggio/ Cylinder bore	Stelo Ø/ Rod Ø	Corsa/ Stroke	A mm	B mm	C mm	D mm	E mm	G mm	H mm	I mm	L mm	M mm	Kit testa-kit pistone/ Rod guide kit-piston kit
81705	50	25	100	316	60	38	20	240	G 3/8"	16	19	4969	5004	0AS5025GC - 06132
81706	50	25	150	366	60	38	20	290	G 3/8"	16	19	4969	5004	0AS5025GC - 06132
81707	50	25	200	416	60	38	20	340	G 3/8"	16	19	4969	5004	0AS5025GC - 06132
81708	50	25	250	466	60	38	20	390	G 3/8"	16	19	4969	5004	0AS5025GC - 06132
81709	50	25	300	516	60	38	20	440	G 3/8"	16	19	4969	5004	0AS5025GC - 06132
81710	50	25	350	566	60	38	20	490	G 3/8"	16	19	4969	5004	0AS5025GC - 06132
81711	50	25	400	616	60	38	20	540	G 3/8"	16	19	4969	5004	0AS5025GC - 06132
81712	50	25	450	666	60	38	20	590	G 3/8"	16	19	4969	5004	0AS5025GC - 06132
81713	50	25	500	716	60	38	20	640	G 3/8"	16	19	4969	5004	0AS5025GC - 06132
81716	50	25	650	866	60	38	20	790	G 3/8"	16	19	4969	5004	0AS5025GC - 06132
81717	50	25	700	916	60	38	20	840	G 3/8"	16	19	4969	5004	0AS5025GC - 06132
81718	50	25	750	966	60	38	20	890	G 3/8"	16	19	4969	5004	0AS5025GC - 06132
81719	50	25	800	1016	60	38	20	940	G 3/8"	16	19	4969	5004	0AS5025GC - 06132
81720	50	25	850	1066	60	38	20	990	G 3/8"	16	19	4969	5004	0AS5025GC - 06132
81721	50	25	900	1116	60	38	20	1040	G 3/8"	16	19	4969	5004	0AS5025GC - 06132
81722	50	25	950	1166	60	38	20	1090	G 3/8"	16	19	4969	5004	0AS5025GC - 06132
81723	50	25	1000	1216	60	38	20	1140	G 3/8"	16	19	4969	5004	0AS5025GC - 06132
81724	50	30	100	316	60	38	20	240	G 3/8"	16	19	4969	5004	0AS5030GC - 06132
81725	50	30	150	366	60	38	20	290	G 3/8"	16	19	4969	5004	0AS5030GC - 06132
81726	50	30	200	416	60	38	20	340	G 3/8"	16	19	4969	5004	0AS5030GC - 06132
81727	50	30	250	466	60	38	20	390	G 3/8"	16	19	4969	5004	0AS5030GC - 06132
81728	50	30	300	516	60	38	20	440	G 3/8"	16	19	4969	5004	0AS5030GC - 06132
81729	50	30	350	566	60	38	20	490	G 3/8"	16	19	4969	5004	0AS5030GC - 06132
81730	50	30	400	616	60	38	20	540	G 3/8"	16	19	4969	5004	0AS5030GC - 06132
81731	50	30	450	666	60	38	20	590	G 3/8"	16	19	4969	5004	0AS5030GC - 06132
81732	50	30	500	716	60	38	20	640	G 3/8"	16	19	4969	5004	0AS5030GC - 06132
81734	50	30	600	816	60	38	20	740	G 3/8"	16	19	4969	5004	0AS5030GC - 06132
81735	50	30	650	866	60	38	20	790	G 3/8"	16	19	4969	5004	0AS5030GC - 06132
81736	50	30	700	916	60	38	20	840	G 3/8"	16	19	4969	5004	0AS5030GC - 06132
81737	50	30	750	966	60	38	20	890	G 3/8"	16	19	4969	5004	0AS5030GC - 06132
81738	50	30	800	1016	60	38	20	940	G 3/8"	16	19	4969	5004	0AS5030GC - 06132
81739	50	30	850	1066	60	38	20	990	G 3/8"	16	19	4969	5004	0AS5030GC - 06132
81740	50	30	900	1116	60	38	20	1040	G 3/8"	16	19	4969	5004	0AS5030GC - 06132
81741	50	30	950	1166	60	38	20	1090	G 3/8"	16	19	4969	5004	0AS5030GC - 06132
81742	50	30	1000	1216	60	38	20	1140	G 3/8"	16	19	4969	5004	0AS5030GC - 06132
81743	60	30	100	350	70	45	25	260	G 3/8"	20	23	4970	5005	0AS6030GC - 06133
81744	60	30	150	400	70	45	25	310	G 3/8"	20	23	4970	5005	0AS6030GC - 06133
81745	60	30	200	450	70	45	25	360	G 3/8"	20	23	4970	5005	0AS6030GC - 06133
81746	60	30	250	500	70	45	25	410	G 3/8"	20	23	4970	5005	0AS6030GC - 06133
81747	60	30	300	550	70	45	25	460	G 3/8"	20	23	4970	5005	0AS6030GC - 06133
81748	60	30	350	600	70	45	25	510	G 3/8"	20	23	4970	5005	0AS6030GC - 06133
81749	60	30	400	650	70	45	25	560	G 3/8"	20	23	4970	5005	0AS6030GC - 06133
81750	60	30	450	700	70	45	25	610	G 3/8"	20	23	4970	5005	0AS6030GC - 06133
81751	60	30	500	750	70	45	25	660	G 3/8"	20	23	4970	5005	0AS6030GC - 06133
81752	60	30	550	800	70	45	25	710	G 3/8"	20	23	4970	5005	0AS6030GC - 06133
81753	60	30	600	850	70	45	25	760	G 3/8"	20	23	4970	5005	0AS6030GC - 06133
81754	60	30	650	900	70	45	25	810	G 3/8"	20	23	4970	5005	0AS6030GC - 06133
81755	60	30	700	950	70	45	25	860	G 3/8"	20	23	4970	5005	0AS6030GC - 06133



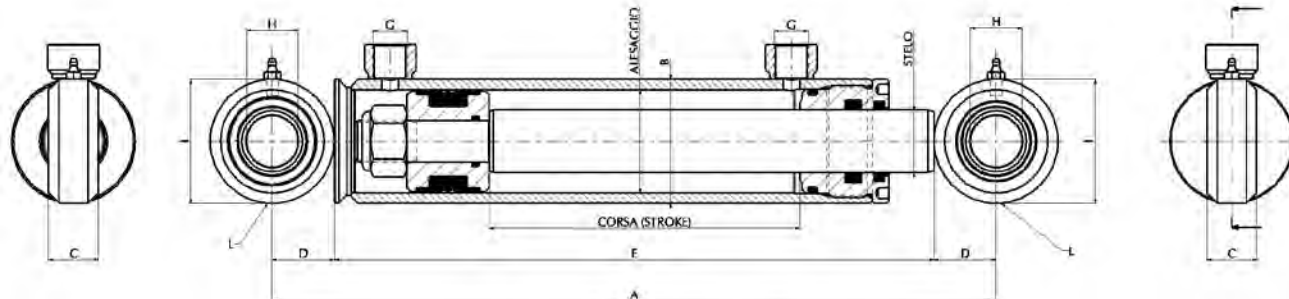
Art./Ref.	Alesaggio/ Cylinder bore	Stelo Ø/ Rod Ø	Corsa/ Stroke	A mm	B mm	C mm	D mm	E mm	G mm	H mm	I mm	L mm	M mm	Kit testa-kit pistone/ Rod guide kit-piston kit
81756	60	30	750	1000	70	45	25	910	G 3/8"	20	23	4970	5005	OAS6030GC - 06133
81757	60	30	800	1050	70	45	25	960	G 3/8"	20	23	4970	5005	OAS6030GC - 06133
81758	60	30	850	1100	70	45	25	1010	G 3/8"	20	23	4970	5005	OAS6030GC - 06133
81759	60	30	900	1150	70	45	25	1060	G 3/8"	20	23	4970	5005	OAS6030GC - 06133
81760	60	30	950	1200	70	45	25	1110	G 3/8"	20	23	4970	5005	OAS6030GC - 06133
81761	60	30	1000	1250	70	45	25	1160	G 3/8"	20	23	4970	5005	OAS6030GC - 06133
81762	60	35	100	350	70	45	25	260	G 3/8"	20	23	4970	5005	OAS6035GC - 06133
81763	60	35	150	400	70	45	25	310	G 3/8"	20	23	4970	5005	OAS6035GC - 06133
81764	60	35	200	450	70	45	25	360	G 3/8"	20	23	4970	5005	OAS6035GC - 06133
81765	60	35	250	500	70	45	25	410	G 3/8"	20	23	4970	5005	OAS6035GC - 06133
81766	60	35	300	550	70	45	25	460	G 3/8"	20	23	4970	5005	OAS6035GC - 06133
81767	60	35	350	600	70	45	25	510	G 3/8"	20	23	4970	5005	OAS6035GC - 06133
81768	60	35	400	650	70	45	25	560	G 3/8"	20	23	4970	5005	OAS6035GC - 06133
81769	60	35	450	700	70	45	25	610	G 3/8"	20	23	4970	5005	OAS6035GC - 06133
81770	60	35	500	750	70	45	25	660	G 3/8"	20	23	4970	5005	OAS6035GC - 06133
81771	60	35	550	800	70	45	25	710	G 3/8"	20	23	4970	5005	OAS6035GC - 06133
81772	60	35	600	850	70	45	25	760	G 3/8"	20	23	4970	5005	OAS6035GC - 06133
81773	60	35	650	900	70	45	25	810	G 3/8"	20	23	4970	5005	OAS6035GC - 06133
81914	60	35	700	950	70	45	25	860	G 3/8"	20	23	4970	5005	OAS6035GC - 06133
81775	60	35	750	1000	70	45	25	910	G 3/8"	20	23	4970	5005	OAS6035GC - 06133
81776	60	35	800	1050	70	45	25	960	G 3/8"	20	23	4970	5005	OAS6035GC - 06133
81777	60	35	850	1100	70	45	25	1010	G 3/8"	20	23	4970	5005	OAS6035GC - 06133
81778	60	35	900	1150	70	45	25	1060	G 3/8"	20	23	4970	5005	OAS6035GC - 06133
81779	60	35	950	1200	70	45	25	1110	G 3/8"	20	23	4970	5005	OAS6035GC - 06133
81780	60	35	1000	1250	70	45	25	1160	G 3/8"	20	23	4970	5005	OAS6035GC - 06133
81781	60	40	100	350	70	45	25	260	G 3/8"	20	23	4970	5005	OAS6040GC, 18219
81782	60	40	150	400	70	45	25	310	G 3/8"	20	23	4970	5005	OAS6040GC, 18219
81783	60	40	200	450	70	45	25	360	G 3/8"	20	23	4970	5005	OAS6040GC, 18219
81784	60	40	250	500	70	45	25	410	G 3/8"	20	23	4970	5005	OAS6040GC, 18219
81785	60	40	300	550	70	45	25	460	G 3/8"	20	23	4970	5005	OAS6040GC, 18219
81786	60	40	350	600	70	45	25	510	G 3/8"	20	23	4970	5005	OAS6040GC, 18219
81787	60	40	400	650	70	45	25	560	G 3/8"	20	23	4970	5005	OAS6040GC, 18219
81788	60	40	450	700	70	45	25	610	G 3/8"	20	23	4970	5005	OAS6040GC, 18219
81789	60	40	500	750	70	45	25	660	G 3/8"	20	23	4970	5005	OAS6040GC, 18219
81790	60	40	550	800	70	45	25	710	G 3/8"	20	23	4970	5005	OAS6040GC, 18219
81791	60	40	600	850	70	45	25	760	G 3/8"	20	23	4970	5005	OAS6040GC, 18219
81792	60	40	650	900	70	45	25	810	G 3/8"	20	23	4970	5005	OAS6040GC, 18219
81793	60	40	700	950	70	45	25	860	G 3/8"	20	23	4970	5005	OAS6040GC, 18219
81794	60	40	750	1000	70	45	25	910	G 3/8"	20	23	4970	5005	OAS6040GC, 18219
81795	60	40	800	1050	70	45	25	960	G 3/8"	20	23	4970	5005	OAS6040GC, 18219
81796	60	40	850	1100	70	45	25	1010	G 3/8"	20	23	4970	5005	OAS6040GC, 18219
81797	60	40	900	1150	70	45	25	1060	G 3/8"	20	23	4970	5005	OAS6040GC, 18219
81798	60	40	950	1200	70	45	25	1110	G 3/8"	20	23	4970	5005	OAS6040GC, 18219
81799	60	40	1000	1250	70	45	25	1160	G 3/8"	20	23	4970	5005	OAS6040GC, 18219
81800	70	35	100	350	80	45	25	260	G 3/8"	20	23	4970	5005	OAS7035GC - 06135
81801	70	35	150	400	80	45	25	310	G 3/8"	20	23	4970	5005	OAS7035GC - 06135
81802	70	35	200	450	80	45	25	360	G 3/8"	20	23	4970	5005	OAS7035GC - 06135
81803	70	35	250	500	80	45	25	410	G 3/8"	20	23	4970	5005	OAS7035GC - 06135



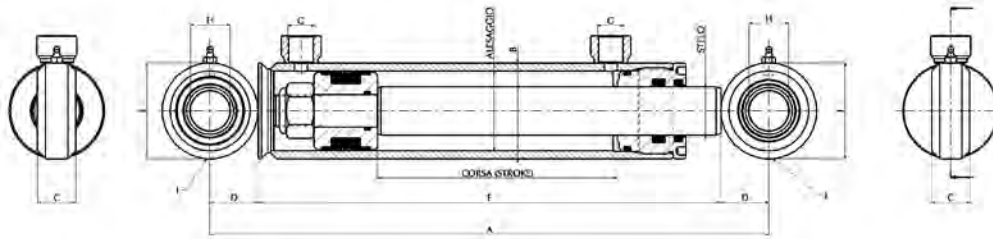
Art./Ref.	Alesaggio/ Cylinder bore	Stelo Ø/ Rod Ø	Corsa/ Stroke	A mm	B mm	C mm	D mm	E mm	G mm	H mm	I mm	L mm	M mm	Kit testa-kit pistone/ Rod guide kit-piston kit
81804	70	35	300	550	80	45	25	460	G 3/8"	20	23	4970	5005	0AS7035GC - 06135
81805	70	35	350	600	80	45	25	510	G 3/8"	20	23	4970	5005	0AS7035GC - 06135
81806	70	35	400	650	80	45	25	560	G 3/8"	20	23	4970	5005	0AS7035GC - 06135
81807	70	35	450	700	80	45	25	610	G 3/8"	20	23	4970	5005	0AS7035GC - 06135
81808	70	35	500	750	80	45	25	660	G 3/8"	20	23	4970	5005	0AS7035GC - 06135
81809	70	35	550	800	80	45	25	710	G 3/8"	20	23	4970	5005	0AS7035GC - 06135
81810	70	35	600	850	80	45	25	760	G 3/8"	20	23	4970	5005	0AS7035GC - 06135
81811	70	35	650	900	80	45	25	810	G 3/8"	20	23	4970	5005	0AS7035GC - 06135
81812	70	35	700	950	80	45	25	860	G 3/8"	20	23	4970	5005	0AS7035GC - 06135
81813	70	35	750	1000	80	45	25	910	G 3/8"	20	23	4970	5005	0AS7035GC - 06135
81814	70	35	800	1050	80	45	25	960	G 3/8"	20	23	4970	5005	0AS7035GC - 06135
81815	70	35	850	1100	80	45	25	1010	G 3/8"	20	23	4970	5005	0AS7035GC - 06135
81816	70	35	900	1150	80	45	25	1060	G 3/8"	20	23	4970	5005	0AS7035GC - 06135
81817	70	35	950	1200	80	45	25	1110	G 3/8"	20	23	4970	5005	0AS7035GC - 06135
81818	70	35	1000	1250	80	45	25	1160	G 3/8"	20	23	4970	5005	0AS7035GC - 06135
81819	70	40	100	350	80	45	25	260	G 3/8"	20	23	4970	5005	0AS7040GC - 06135
81820	70	40	150	400	80	45	25	310	G 3/8"	20	23	4970	5005	0AS7040GC - 06135
81821	70	40	200	450	80	45	25	360	G 3/8"	20	23	4970	5005	0AS7040GC - 06135
81822	70	40	250	500	80	45	25	410	G 3/8"	20	23	4970	5005	0AS7040GC - 06135
81823	70	40	300	550	80	45	25	460	G 3/8"	20	23	4970	5005	0AS7040GC - 06135
81824	70	40	350	600	80	45	25	510	G 3/8"	20	23	4970	5005	0AS7040GC - 06135
81825	70	40	400	650	80	45	25	560	G 3/8"	20	23	4970	5005	0AS7040GC - 06135
81826	70	40	450	700	80	45	25	610	G 3/8"	20	23	4970	5005	0AS7040GC - 06135
81827	70	40	500	750	80	45	25	660	G 3/8"	20	23	4970	5005	0AS7040GC - 06135
81828	70	40	550	800	80	45	25	710	G 3/8"	20	23	4970	5005	0AS7040GC - 06135
81829	70	40	600	850	80	45	25	760	G 3/8"	20	23	4970	5005	0AS7040GC - 06135
81832	70	40	750	1000	80	45	25	910	G 3/8"	20	23	4970	5005	0AS7040GC - 06135
81834	70	40	850	1100	80	45	25	1010	G 3/8"	20	23	4970	5005	0AS7040GC - 06135
81836	70	40	950	1200	80	45	25	1110	G 3/8"	20	23	4970	5005	0AS7040GC - 06135
81837	70	40	1000	1250	80	45	25	1160	G 3/8"	20	23	4970	5005	0AS7040GC - 06135
81838	80	40	100	377	95	51	30	275	G 3/8"	22	28	4971	5006	0AS8040GC - 06136
81839	80	40	150	427	95	51	30	325	G 3/8"	22	28	4971	5006	0AS8040GC - 06136
81840	80	40	200	477	95	51	30	375	G 3/8"	22	28	4971	5006	0AS8040GC - 06136
81841	80	40	250	527	95	51	30	425	G 3/8"	22	28	4971	5006	0AS8040GC - 06136
81842	80	40	300	577	95	51	30	475	G 3/8"	22	28	4971	5006	0AS8040GC - 06136
81843	80	40	350	627	95	51	30	525	G 3/8"	22	28	4971	5006	0AS8040GC - 06136
81844	80	40	400	677	95	51	30	575	G 3/8"	22	28	4971	5006	0AS8040GC - 06136
81845	80	40	450	727	95	51	30	625	G 3/8"	22	28	4971	5006	0AS8040GC - 06136
81846	80	40	500	777	95	51	30	675	G 3/8"	22	28	4971	5006	0AS8040GC - 06136
81847	80	40	550	827	95	51	30	725	G 3/8"	22	28	4971	5006	0AS8040GC - 06136
81848	80	40	600	877	95	51	30	775	G 3/8"	22	28	4971	5006	0AS8040GC - 06136
81849	80	40	650	927	95	51	30	825	G 3/8"	22	28	4971	5006	0AS8040GC - 06136
81850	80	40	700	977	95	51	30	875	G 3/8"	22	28	4971	5006	0AS8040GC - 06136
81851	80	40	750	1027	95	51	30	925	G 3/8"	22	28	4971	5006	0AS8040GC - 06136
81854	80	40	900	1177	95	51	30	1075	G 3/8"	22	28	4971	5006	0AS8040GC - 06136
81860	80	50	250	527	95	51	30	425	G 3/8"	22	28	4971	5006	0AS8050GC - 06136
81861	80	50	300	577	95	51	30	475	G 3/8"	22	28	4971	5006	0AS8050GC - 06136
81862	80	50	350	627	95	51	30	525	G 3/8"	22	28	4971	5006	0AS8050GC - 06136



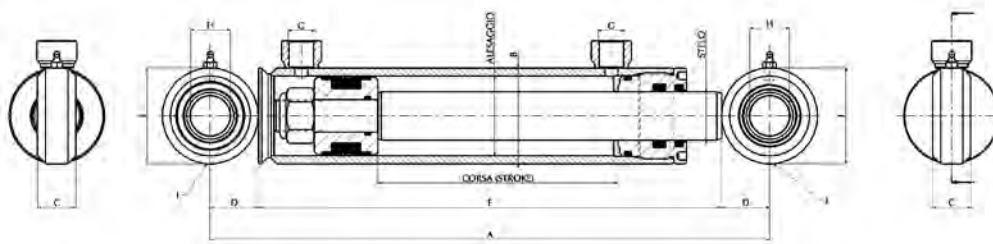
Art./Ref.	Alesaggio/ Cylinder bore	Stelo Ø/ Rod Ø	Corsa/ Stroke	A mm	B mm	C mm	D mm	E mm	G mm	H mm	I mm	L mm	M mm	Kit testa-kit pistone/ Rod guide kit-piston kit
81863	80	50	400	677	95	51	30	575	G 3/8"	22	28	4971	5006	OAS8050GC - 06136
81864	80	50	450	727	95	51	30	625	G 3/8"	22	28	4971	5006	OAS8050GC - 06136
81865	80	50	500	777	95	51	30	675	G 3/8"	22	28	4971	5006	OAS8050GC - 06136
81866	80	50	550	827	95	51	30	725	G 3/8"	22	28	4971	5006	OAS8050GC - 06136
81867	80	50	600	877	95	51	30	775	G 3/8"	22	28	4971	5006	OAS8050GC - 06136
81868	80	50	650	927	95	51	30	825	G 3/8"	22	28	4971	5006	OAS8050GC - 06136
81869	80	50	700	977	95	51	30	875	G 3/8"	22	28	4971	5006	OAS8050GC - 06136
81870	80	50	750	1027	95	51	30	925	G 3/8"	22	28	4971	5006	OAS8050GC - 06136
81871	80	50	800	1077	95	51	30	975	G 3/8"	22	28	4971	5006	OAS8050GC - 06136
81872	80	50	850	1127	95	51	30	1025	G 3/8"	22	28	4971	5006	OAS8050GC - 06136
81873	80	50	900	1177	95	51	30	1075	G 3/8"	22	28	4971	5006	OAS8050GC - 06136
81875	80	50	1000	1277	95	51	30	1175	G 3/8"	22	28	4971	5006	OAS8050GC - 06136
81876	100	50	100	428	115	69	40	290	G 3/8"	28	35	4676	4678	OAS150GCA - 06138
81877	100	50	150	478	115	69	40	340	G 3/8"	28	35	4676	4678	OAS150GCA - 06138
81878	100	50	200	528	115	69	40	390	G 3/8"	28	35	4676	4678	OAS150GCA - 06138
81879	100	50	250	578	115	69	40	440	G 3/8"	28	35	4676	4678	OAS150GCA - 06138
81880	100	50	300	628	115	69	40	490	G 3/8"	28	35	4676	4678	OAS150GCA - 06138
81881	100	50	350	678	115	69	40	540	G 3/8"	28	35	4676	4678	OAS150GCA - 06138
81882	100	50	400	728	115	69	40	590	G 3/8"	28	35	4676	4678	OAS150GCA - 06138
81883	100	50	450	778	115	69	40	640	G 3/8"	28	35	4676	4678	OAS150GCA - 06138
81884	100	50	500	828	115	69	40	690	G 3/8"	28	35	4676	4678	OAS150GCA - 06138
81885	100	50	550	878	115	69	40	740	G 3/8"	28	35	4676	4678	OAS150GCA - 06138
81886	100	50	600	928	115	69	40	790	G 3/8"	28	35	4676	4678	OAS150GCA - 06138
81887	100	50	650	978	115	69	40	840	G 3/8"	28	35	4676	4678	OAS150GCA - 06138
81888	100	50	700	1028	115	69	40	890	G 3/8"	28	35	4676	4678	OAS150GCA - 06138
81889	100	50	750	1078	115	69	40	940	G 3/8"	28	35	4676	4678	OAS150GCA - 06138
81890	100	50	800	1128	115	69	40	990	G 3/8"	28	35	4676	4678	OAS150GCA - 06138
81891	100	50	850	1178	115	69	40	1040	G 3/8"	28	35	4676	4678	OAS150GCA - 06138
81892	100	50	900	1228	115	69	40	1090	G 3/8"	28	35	4676	4678	OAS150GCA - 06138
81893	100	50	950	1278	115	69	40	1140	G 3/8"	28	35	4676	4678	OAS150GCA - 06138
81894	100	50	1000	1328	115	69	40	1190	G 3/8"	28	35	4676	4678	OAS150GCA - 06138

CILINDRI A DOPPIO EFFETTO CON ATTACCHI
VERINS DOUBLE EFFET AVEC FIXATIONES
HYDRAULIC CYLINDERS DOUBLE ACTING WITH ENDS
HYDRAULISCHE ZYLINDER DOPPELWIREND MIT ANSCHLÜSSE
CILINDROS DOBLE EFECTO CON FISACIONES
ЦИЛИНДРИ ДВОЙНОГО ДЕЙСТВИЯ С КРЕПЛЕНИЯМИ


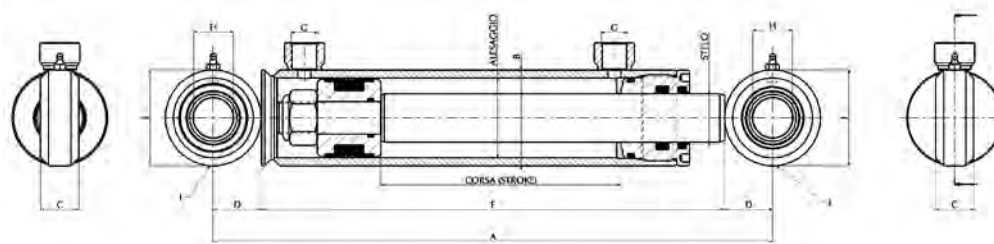
Art./ Ref.	Alesaggio/ Cylinder bore	Stelo Ø/ Rod Ø	Corsa/ Stroke	A mm	B mm	C mm	D mm	E mm	G mm	H mm	I mm	L mm	Kit testa-kit pistone/ Rod guide kit-piston kit
81915	40	20	50	230	50	19,5	25	180	G 1/4"	20	50	25	OAS4020GC - 06130
81916	40	20	100	280	50	19,5	25	230	G 1/4"	20	50	25	OAS4020GC - 06130
81917	40	20	150	330	50	19,5	25	280	G 1/4"	20	50	25	OAS4020GC - 06130
81918	40	20	200	380	50	19,5	25	330	G 1/4"	20	50	25	OAS4020GC - 06130
81919	40	20	250	430	50	19,5	25	380	G 1/4"	20	50	25	OAS4020GC - 06130
81920	40	20	300	480	50	19,5	25	430	G 1/4"	20	50	25	OAS4020GC - 06130
81921	40	20	350	530	50	19,5	25	480	G 1/4"	20	50	25	OAS4020GC - 06130
81922	40	20	400	580	50	19,5	25	530	G 1/4"	20	50	25	OAS4020GC - 06130
81923	40	20	450	630	50	19,5	25	580	G 1/4"	20	50	25	OAS4020GC - 06130
81924	40	20	500	680	50	19,5	25	630	G 1/4"	20	50	25	OAS4020GC - 06130
81925	40	20	550	730	50	19,5	25	680	G 1/4"	20	50	25	OAS4020GC - 06130
81926	40	20	600	780	50	19,5	25	730	G 1/4"	20	50	25	OAS4020GC - 06130
81927	40	20	650	830	50	19,5	25	780	G 1/4"	20	50	25	OAS4020GC - 06130
81928	40	20	700	880	50	19,5	25	830	G 1/4"	20	50	25	OAS4020GC - 06130
81929	40	20	750	930	50	19,5	25	880	G 1/4"	20	50	25	OAS4020GC - 06130
81930	40	20	800	980	50	19,5	25	930	G 1/4"	20	50	25	OAS4020GC - 06130
81931	40	20	850	1030	50	19,5	25	980	G 1/4"	20	50	25	OAS4020GC - 06130
81932	40	20	900	1080	50	19,5	25	1030	G 1/4"	20	50	25	OAS4020GC - 06130
81933	40	20	950	1130	50	19,5	25	1080	G 1/4"	20	50	25	OAS4020GC - 06130
81934	40	20	1000	1180	50	19,5	25	1130	G 1/4"	20	50	25	OAS4020GC - 06130
81935	40	25	50	230	50	19,5	25	180	G 1/4"	20	50	25	OAS4025GC - 06130
81936	40	25	100	280	50	19,5	25	230	G 1/4"	20	50	25	OAS4025GC - 06130
81937	40	25	150	330	50	19,5	25	280	G 1/4"	20	50	25	OAS4025GC - 06130
81938	40	25	200	380	50	19,5	25	330	G 1/4"	20	50	25	OAS4025GC - 06130
81939	40	25	250	430	50	19,5	25	380	G 1/4"	20	50	25	OAS4025GC - 06130
81940	40	25	300	480	50	19,5	25	430	G 1/4"	20	50	25	OAS4025GC - 06130
81941	40	25	350	530	50	19,5	25	480	G 1/4"	20	50	25	OAS4025GC - 06130
81942	40	25	400	580	50	19,5	25	530	G 1/4"	20	50	25	OAS4025GC - 06130
81943	40	25	450	630	50	19,5	25	580	G 1/4"	20	50	25	OAS4025GC - 06130
81944	40	25	500	680	50	19,5	25	630	G 1/4"	20	50	25	OAS4025GC - 06130
81945	40	25	550	730	50	19,5	25	680	G 1/4"	20	50	25	OAS4025GC - 06130
81946	40	25	600	780	50	19,5	25	730	G 1/4"	20	50	25	OAS4025GC - 06130
81947	40	25	650	830	50	19,5	25	780	G 1/4"	20	50	25	OAS4025GC - 06130
81948	40	25	700	880	50	19,5	25	830	G 1/4"	20	50	25	OAS4025GC - 06130
81949	40	25	750	930	50	19,5	25	880	G 1/4"	20	50	25	OAS4025GC - 06130
81950	40	25	800	980	50	19,5	25	930	G 1/4"	20	50	25	OAS4025GC - 06130
81951	40	25	850	1030	50	19,5	25	980	G 1/4"	20	50	25	OAS4025GC - 06130



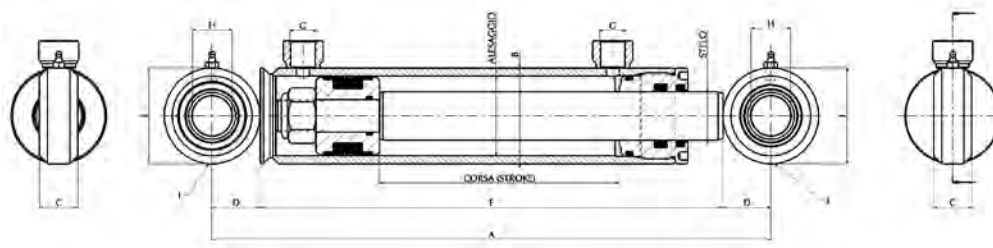
Art./ Ref.	Alesaggio/ Cylinder bore	Stelo Ø/ Rod Ø	Corsa/ Stroke	A mm	B mm	C mm	D mm	E mm	G mm	H mm	I mm	L mm	Kit testa-kit pistone/ Rod guide kit-piston kit
81952	40	25	900	1080	50	19.5	25	1030	G 1/4"	20	50	25	0AS4025GC - 06130
81953	40	25	950	1130	50	19.5	25	1080	G 1/4"	20	50	25	0AS4025GC - 06130
81954	40	25	1000	1180	50	19.5	25	1130	G 1/4"	20	50	25	0AS4025GC - 06130
81955	50	25	100	300	60	24	30	240	G 3/8"	25	60	30	0ASS025GC - 06132
81956	50	25	150	350	60	24	30	290	G 3/8"	25	60	30	0ASS025GC - 06132
81957	50	25	200	400	60	24	30	340	G 3/8"	25	60	30	0ASS025GC - 06132
81958	50	25	250	450	60	24	30	390	G 3/8"	25	60	30	0ASS025GC - 06132
81959	50	25	300	500	60	24	30	440	G 3/8"	25	60	30	0ASS025GC - 06132
81960	50	25	350	550	60	24	30	490	G 3/8"	25	60	30	0ASS025GC - 06132
81961	50	25	400	600	60	24	30	540	G 3/8"	25	60	30	0ASS025GC - 06132
81962	50	25	450	650	60	24	30	590	G 3/8"	25	60	30	0ASS025GC - 06132
81963	50	25	500	700	60	24	30	640	G 3/8"	25	60	30	0ASS025GC - 06132
81964	50	25	550	750	60	24	30	690	G 3/8"	25	60	30	0ASS025GC - 06132
81965	50	25	600	800	60	24	30	740	G 3/8"	25	60	30	0ASS025GC - 06132
81966	50	25	650	850	60	24	30	790	G 3/8"	25	60	30	0ASS025GC - 06132
81967	50	25	700	900	60	24	30	840	G 3/8"	25	60	30	0ASS025GC - 06132
81968	50	25	750	950	60	24	30	890	G 3/8"	25	60	30	0ASS025GC - 06132
81969	50	25	800	1000	60	24	30	940	G 3/8"	25	60	30	0ASS025GC - 06132
81970	50	25	850	1050	60	24	30	990	G 3/8"	25	60	30	0ASS025GC - 06132
81973	50	25	1000	1200	60	24	30	1140	G 3/8"	25	60	30	0ASS025GC - 06132
81974	50	30	100	300	60	24	30	240	G 3/8"	25	60	30	0ASS030GC - 06132
81975	50	30	150	350	60	24	30	290	G 3/8"	25	60	30	0ASS030GC - 06132
81976	50	30	200	400	60	24	30	340	G 3/8"	25	60	30	0ASS030GC - 06132
81977	50	30	250	450	60	24	30	390	G 3/8"	25	60	30	0ASS030GC - 06132
81978	50	30	300	500	60	24	30	440	G 3/8"	25	60	30	0ASS030GC - 06132
81979	50	30	350	550	60	24	30	490	G 3/8"	25	60	30	0ASS030GC - 06132
81980	50	30	400	600	60	24	30	540	G 3/8"	25	60	30	0ASS030GC - 06132
81981	50	30	450	650	60	24	30	590	G 3/8"	25	60	30	0ASS030GC - 06132
81982	50	30	500	700	60	24	30	640	G 3/8"	25	60	30	0ASS030GC - 06132
81983	50	30	550	750	60	24	30	690	G 3/8"	25	60	30	0ASS030GC - 06132
81984	50	30	600	800	60	24	30	740	G 3/8"	25	60	30	0ASS030GC - 06132
81985	50	30	650	850	60	24	30	790	G 3/8"	25	60	30	0ASS030GC - 06132
81986	50	30	700	900	60	24	30	840	G 3/8"	25	60	30	0ASS030GC - 06132
81987	50	30	750	950	60	24	30	890	G 3/8"	25	60	30	0ASS030GC - 06132
81988	50	30	800	1000	60	24	30	940	G 3/8"	25	60	30	0ASS030GC - 06132
81989	50	30	850	1050	60	24	30	990	G 3/8"	25	60	30	0ASS030GC - 06132
81990	50	30	900	1100	60	24	30	1040	G 3/8"	25	60	30	0ASS030GC - 06132
81991	50	30	950	1150	60	24	30	1090	G 3/8"	25	60	30	0ASS030GC - 06132
81992	50	30	1000	1200	60	24	30	1140	G 3/8"	25	60	30	0ASS030GC - 06132
81993	60	30	100	335	70	28	37.5	260	G 3/8"	30	75	37.5	0AS6030GC - 06133
81994	60	30	150	385	70	28	37.5	310	G 3/8"	30	75	37.5	0AS6030GC - 06133
81995	60	30	200	435	70	28	37.5	360	G 3/8"	30	75	37.5	0AS6030GC - 06133
81996	60	30	250	485	70	28	37.5	410	G 3/8"	30	75	37.5	0AS6030GC - 06133
81997	60	30	300	535	70	28	37.5	460	G 3/8"	30	75	37.5	0AS6030GC - 06133
81998	60	30	350	585	70	28	37.5	510	G 3/8"	30	75	37.5	0AS6030GC - 06133
81999	60	30	400	635	70	28	37.5	560	G 3/8"	30	75	37.5	0AS6030GC - 06133
82000	60	30	450	685	70	28	37.5	610	G 3/8"	30	75	37.5	0AS6030GC - 06133
82001	60	30	500	735	70	28	37.5	660	G 3/8"	30	75	37.5	0AS6030GC - 06133



Art./ Ref.	Alesaggio/ Cylinder bore	Stelo Ø/ Rod Ø	Corsa/ Stroke	A mm	B mm	C mm	D mm	E mm	G mm	H mm	I mm	L mm	Kit testa-kit pistone/ Rod guide kit-piston kit
81559	60	30	550	785	70	28	37.5	710	G 3/8"	30	75	37.5	
82002	60	30	600	835	70	28	37.5	760	G 3/8"	30	75	37.5	OAS6030GC - 06133
82003	60	30	650	885	70	28	37.5	810	G 3/8"	30	75	37.5	OAS6030GC - 06133
82004	60	30	700	935	70	28	37.5	860	G 3/8"	30	75	37.5	OAS6030GC - 06133
82005	60	30	750	985	70	28	37.5	910	G 3/8"	30	75	37.5	OAS6030GC - 06133
82006	60	30	800	1035	70	28	37.5	960	G 3/8"	30	75	37.5	OAS6030GC - 06133
82007	60	30	850	1085	70	28	37.5	1010	G 3/8"	30	75	37.5	OAS6030GC - 06133
82008	60	30	900	1135	70	28	37.5	1060	G 3/8"	30	75	37.5	OAS6030GC - 06133
82009	60	30	950	1185	70	28	37.5	1110	G 3/8"	30	75	37.5	OAS6030GC - 06133
82010	60	30	1000	1235	70	28	37.5	1160	G 3/8"	30	75	37.5	OAS6030GC - 06133
82011	60	35	100	335	70	28	37.5	260	G 3/8"	30	75	37.5	OAS6035GC - 06133
82012	60	35	150	385	70	28	37.5	310	G 3/8"	30	75	37.5	OAS6035GC - 06133
82013	60	35	200	435	70	28	37.5	360	G 3/8"	30	75	37.5	OAS6035GC - 06133
82014	60	35	250	485	70	28	37.5	410	G 3/8"	30	75	37.5	OAS6035GC - 06133
82015	60	35	300	535	70	28	37.5	460	G 3/8"	30	75	37.5	OAS6035GC - 06133
82016	60	35	350	585	70	28	37.5	510	G 3/8"	30	75	37.5	OAS6035GC - 06133
82018	60	35	450	685	70	28	37.5	610	G 3/8"	30	75	37.5	OAS6035GC - 06133
82019	60	35	500	735	70	28	37.5	660	G 3/8"	30	75	37.5	OAS6035GC - 06133
82021	60	35	600	835	70	28	37.5	760	G 3/8"	30	75	37.5	OAS6035GC - 06133
82022	60	35	650	885	70	28	37.5	810	G 3/8"	30	75	37.5	OAS6035GC - 06133
82024	60	35	750	985	70	28	37.5	910	G 3/8"	30	75	37.5	OAS6035GC - 06133
82026	60	35	850	1085	70	28	37.5	1010	G 3/8"	30	75	37.5	OAS6035GC - 06133
82027	60	35	900	1135	70	28	37.5	1060	G 3/8"	30	75	37.5	OAS6035GC - 06133
82030	60	40	100	335	70	28	37.5	260	G 3/8"	30	75	37.5	OAS6040GC, 18219
82031	60	40	150	385	70	28	37.5	310	G 3/8"	30	75	37.5	OAS6040GC, 18219
82032	60	40	200	435	70	28	37.5	360	G 3/8"	30	75	37.5	OAS6040GC, 18219
82033	60	40	250	485	70	28	37.5	410	G 3/8"	30	75	37.5	OAS6040GC, 18219
82034	60	40	300	535	70	28	37.5	460	G 3/8"	30	75	37.5	OAS6040GC, 18219
82036	60	40	400	635	70	28	37.5	560	G 3/8"	30	75	37.5	OAS6040GC, 18219
82038	60	40	500	735	70	28	37.5	660	G 3/8"	30	75	37.5	OAS6040GC, 18219
82039	60	40	550	785	70	28	37.5	710	G 3/8"	30	75	37.5	OAS6040GC, 18219
82042	60	40	700	935	70	28	37.5	860	G 3/8"	30	75	37.5	OAS6040GC, 18219
82043	60	40	750	985	70	28	37.5	910	G 3/8"	30	75	37.5	OAS6040GC, 18219
82044	60	40	800	1035	70	28	37.5	960	G 3/8"	30	75	37.5	OAS6040GC, 18219
82045	60	40	850	1085	70	28	37.5	1010	G 3/8"	30	75	37.5	OAS6040GC, 18219
82046	60	40	900	1135	70	28	37.5	1060	G 3/8"	30	75	37.5	OAS6040GC, 18219
82047	60	40	950	1185	70	28	37.5	1110	G 3/8"	30	75	37.5	OAS6040GC, 18219
82048	60	40	1000	1235	70	28	37.5	1160	G 3/8"	30	75	37.5	OAS6040GC, 18219
82049	70	35	100	340	80	35	40	260	G 3/8"	35	80	30	OAS7035GC - 06135
82050	70	35	150	390	80	35	40	310	G 3/8"	35	80	30	OAS7035GC - 06135
82051	70	35	200	440	80	35	40	360	G 3/8"	35	80	30	OAS7035GC - 06135
82052	70	35	250	490	80	35	40	410	G 3/8"	35	80	30	OAS7035GC - 06135
82053	70	35	300	540	80	35	40	460	G 3/8"	35	80	30	OAS7035GC - 06135
82054	70	35	350	590	80	35	40	510	G 3/8"	35	80	30	OAS7035GC - 06135
82055	70	35	400	640	80	35	40	560	G 3/8"	35	80	30	OAS7035GC - 06135
82056	70	35	450	690	80	35	40	610	G 3/8"	35	80	30	OAS7035GC - 06135
82057	70	35	500	740	80	35	40	660	G 3/8"	35	80	30	OAS7035GC - 06135
82058	70	35	550	790	80	35	40	710	G 3/8"	35	80	30	OAS7035GC - 06135



Art./ Ref.	Alesaggio/ Cylinder bore	Stelo Ø/ Rod Ø	Corsa/ Stroke	A mm	B mm	C mm	D mm	E mm	G mm	H mm	I mm	L mm	Kit testa-kit pistone/ Rod guide kit-piston kit
82061	70	35	700	940	80	35	40	860	G 3/8"	35	80	30	0AS7035GC - 06135
82062	70	35	750	990	80	35	40	910	G 3/8"	35	80	30	0AS7035GC - 06135
82067	70	35	1000	1240	80	35	40	1160	G 3/8"	35	80	30	0AS7035GC - 06135
82068	70	40	100	335	80	35	40	260	G 3/8"	35	80	30	0AS7040GC - 06135
82069	70	40	150	385	80	35	40	310	G 3/8"	35	80	30	0AS7040GC - 06135
82070	70	40	200	435	80	35	40	360	G 3/8"	35	80	30	0AS7040GC - 06135
82071	70	40	250	485	80	35	40	410	G 3/8"	35	80	30	0AS7040GC - 06135
82072	70	40	300	535	80	35	40	460	G 3/8"	35	80	30	0AS7040GC - 06135
82073	70	40	350	585	80	35	40	510	G 3/8"	35	80	30	0AS7040GC - 06135
82074	70	40	400	635	80	35	40	560	G 3/8"	35	80	30	0AS7040GC - 06135
82075	70	40	450	685	80	35	40	610	G 3/8"	35	80	30	0AS7040GC - 06135
82076	70	40	500	735	80	35	40	660	G 3/8"	35	80	30	0AS7040GC - 06135
82077	70	40	550	785	80	35	40	710	G 3/8"	35	80	30	0AS7040GC - 06135
82079	70	40	650	885	80	35	40	810	G 3/8"	35	80	30	0AS7040GC - 06135
82080	70	40	700	935	80	35	40	860	G 3/8"	35	80	30	0AS7040GC - 06135
82081	70	40	750	985	80	35	40	910	G 3/8"	35	80	30	0AS7040GC - 06135
82082	70	40	800	1035	80	35	40	960	G 3/8"	35	80	30	0AS7040GC - 06135
82083	70	40	850	1085	80	35	40	1010	G 3/8"	35	80	30	0AS7040GC - 06135
82084	70	40	900	1135	80	35	40	1060	G 3/8"	35	80	30	0AS7040GC - 06135
82085	70	40	950	1185	80	35	40	1110	G 3/8"	35	80	30	0AS7040GC - 06135
82086	70	40	1000	1235	80	35	40	1160	G 3/8"	35	80	30	0AS7040GC - 06135
82087	80	40	100	355	95	28	48	275	G 3/8"	40	96	30	0AS8040GC - 06136
82088	80	40	150	405	95	28	48	325	G 3/8"	40	96	30	0AS8040GC - 06136
82089	80	40	200	455	95	28	48	375	G 3/8"	40	96	30	0AS8040GC - 06136
82090	80	40	250	505	95	28	48	425	G 3/8"	40	96	30	0AS8040GC - 06136
82091	80	40	300	555	95	28	48	475	G 3/8"	40	96	30	0AS8040GC - 06136
82092	80	40	350	605	95	28	48	525	G 3/8"	40	96	30	0AS8040GC - 06136
82093	80	40	400	655	95	28	48	575	G 3/8"	40	96	30	0AS8040GC - 06136
82096	80	40	550	805	95	28	48	725	G 3/8"	40	96	30	0AS8040GC - 06136
82098	80	40	650	905	95	28	48	825	G 3/8"	40	96	30	0AS8040GC - 06136
82099	80	40	700	955	95	28	48	875	G 3/8"	40	96	30	0AS8040GC - 06136
82100	80	40	750	1005	95	28	48	925	G 3/8"	40	96	30	0AS8040GC - 06136
82102	80	40	850	1105	95	28	48	1025	G 3/8"	40	96	30	0AS8040GC - 06136
82103	80	40	900	1155	95	28	48	1075	G 3/8"	40	96	30	0AS8040GC - 06136
82104	80	40	950	1205	95	28	48	1125	G 3/8"	40	96	30	0AS8040GC - 06136
82105	80	40	1000	1255	95	28	48	1175	G 3/8"	40	96	30	0AS8040GC - 06136
82106	80	50	100	370	95	28	47.5	275	G 3/8"	40	95	30	0AS8050GC - 06136
82107	80	50	150	420	95	28	47.5	325	G 3/8"	40	95	30	0AS8050GC - 06136
82108	80	50	200	470	95	28	47.5	375	G 3/8"	40	95	30	0AS8050GC - 06136
82109	80	50	250	520	95	28	47.5	425	G 3/8"	40	95	30	0AS8050GC - 06136
82110	80	50	300	570	95	28	47.5	475	G 3/8"	40	95	30	0AS8050GC - 06136
82111	80	50	350	620	95	28	47.5	525	G 3/8"	40	95	30	0AS8050GC - 06136
82112	80	50	400	670	95	28	47.5	575	G 3/8"	40	95	30	0AS8050GC - 06136
82113	80	50	450	720	95	28	47.5	625	G 3/8"	40	95	30	0AS8050GC - 06136
82114	80	50	500	770	95	28	47.5	675	G 3/8"	40	95	30	0AS8050GC - 06136
82115	80	50	550	820	95	28	47.5	725	G 3/8"	40	95	30	0AS8050GC - 06136
82116	80	50	600	870	95	28	47.5	775	G 3/8"	40	95	30	0AS8050GC - 06136
82117	80	50	650	920	95	28	47.5	825	G 3/8"	40	95	30	0AS8050GC - 06136



Art./ Ref.	Alesaggio/ Cylinder bore	Stelo Ø/ Rod Ø	Corsa/ Stroke	A mm	B mm	C mm	D mm	E mm	G mm	H mm	I mm	L mm	Kit testa-kit pistone/ Rod guide kit-piston kit
82118	80	50	700	970	95	28	47.5	875	G 3/8"	40	95	30	OAS8050GC - 06136
82119	80	50	750	1020	95	28	47.5	925	G 3/8"	40	95	30	OAS8050GC - 06136
82120	80	50	800	1070	95	28	47.5	975	G 3/8"	40	95	30	OAS8050GC - 06136
82121	80	50	850	1120	95	28	47.5	1025	G 3/8"	40	95	30	OAS8050GC - 06136
82122	80	50	900	1170	95	28	47.5	1075	G 3/8"	40	95	30	OAS8050GC - 06136
82123	80	50	950	1220	95	28	47.5	1125	G 3/8"	40	95	30	OAS8050GC - 06136
82124	80	50	1000	1270	95	28	47.5	1175	G 3/8"	40	95	30	OAS8050GC - 06136
82125	100	50	100	385	115	35	52.5	290	G 3/8"	50	105	30	OAS150GCA - 06138
82126	100	50	150	435	115	35	52.5	340	G 3/8"	50	105	30	OAS150GCA - 06138
82127	100	50	200	485	115	35	52.5	390	G 3/8"	50	105	30	OAS150GCA - 06138
82128	100	50	250	535	115	35	52.5	440	G 3/8"	50	105	30	OAS150GCA - 06138
82129	100	50	300	585	115	35	52.5	490	G 3/8"	50	105	30	OAS150GCA - 06138
82131	100	50	400	685	115	35	52.5	590	G 3/8"	50	105	30	OAS150GCA - 06138
82132	100	50	450	735	115	35	52.5	640	G 3/8"	50	105	30	OAS150GCA - 06138
82133	100	50	500	785	115	35	52.5	690	G 3/8"	50	105	30	OAS150GCA - 06138
82134	100	50	550	835	115	35	52.5	740	G 3/8"	50	105	30	OAS150GCA - 06138
82135	100	50	600	885	115	35	52.5	790	G 3/8"	50	105	30	OAS150GCA - 06138
82137	100	50	700	985	115	35	52.5	890	G 3/8"	50	105	30	OAS150GCA - 06138
82138	100	50	750	1035	115	35	52.5	940	G 3/8"	50	105	30	OAS150GCA - 06138
82139	100	50	800	1085	115	35	52.5	990	G 3/8"	50	105	30	OAS150GCA - 06138
82140	100	50	850	1135	115	35	52.5	1040	G 3/8"	50	105	30	OAS150GCA - 06138
82141	100	50	900	1185	115	35	52.5	1090	G 3/8"	50	105	30	OAS150GCA - 06138
82142	100	50	950	1235	115	35	52.5	1140	G 3/8"	50	105	30	OAS150GCA - 06138
82143	100	50	1000	1285	115	35	52.5	1190	G 3/8"	50	105	30	OAS150GCA - 06138

CILINDRI A DOPPIO EFFETTO CON FORCELLA

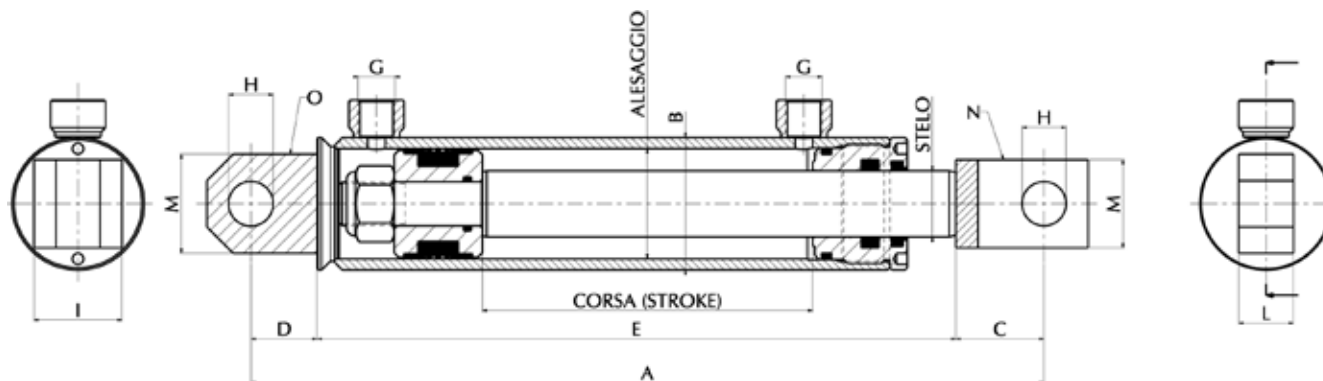
VERINS A DOUBLE EFFET AVEC CHAPE

HYDRAULIC CYLINDERS DOUBLE ACTING WITH FORK

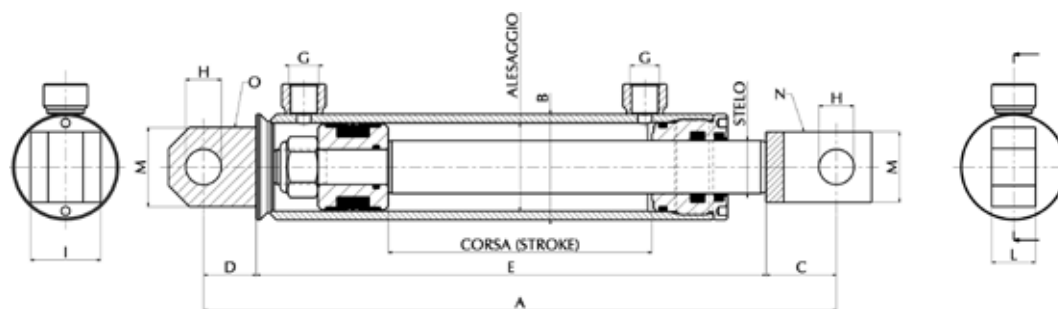
HYDRAULISCHE ZYLINDER DOPPELWIRKEND MIT GABEL

CILINDROS DOBLE EFECTO CON HORQUILLA

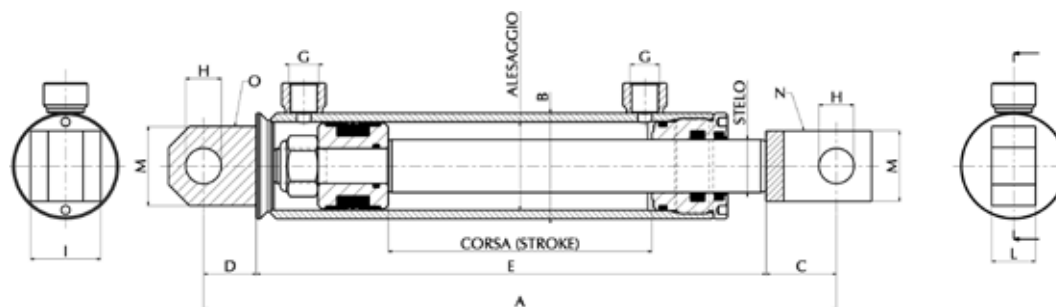
ЦИЛИНДРЫ ДВОЙНОГО ДЕЙСТВИЯ С ВИЛКОЙ



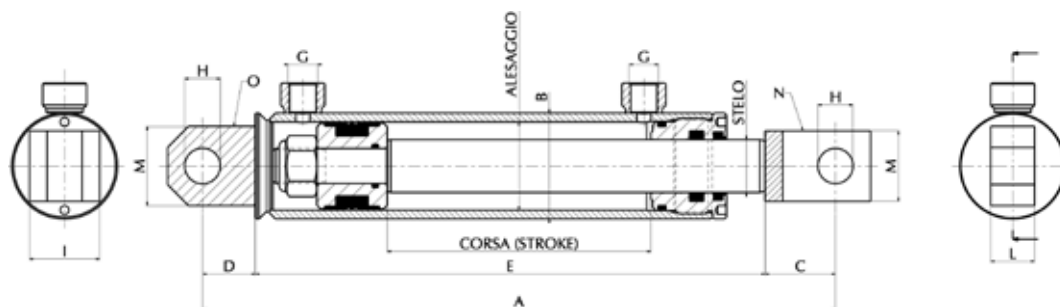
Art./ Ref.	Alesaggio/ Cylinder bore	Stelo Ø/ Rod Ø	Corsa/ Stroke	A mm	B mm	C mm	D mm	E mm	G mm	H mm	I mm	L mm	M mm	N mm	O mm	Kit testa-kit pistone/ Rod guide kit-piston kit
82163	40	20	50	239	50	34	25	180	G 1/4"	16	35	20	35	OFR16	OOF1625	OAS4020GC - 06130
82164	40	20	100	289	50	34	25	230	G 1/4"	16	35	20	35	OFR16	OOF1625	OAS4020GC - 06130
82165	40	20	150	339	50	34	25	280	G 1/4"	16	35	20	35	OFR16	OOF1625	OAS4020GC - 06130
82166	40	20	200	389	50	34	25	330	G 1/4"	16	35	20	35	OFR16	OOF1625	OAS4020GC - 06130
82167	40	20	250	439	50	34	25	380	G 1/4"	16	35	20	35	OFR16	OOF1625	OAS4020GC - 06130
82168	40	20	300	489	50	34	25	430	G 1/4"	16	35	20	35	OFR16	OOF1625	OAS4020GC - 06130
82170	40	20	400	589	50	34	25	530	G 1/4"	16	35	20	35	OFR16	OOF1625	OAS4020GC - 06130
82171	40	20	450	639	50	34	25	580	G 1/4"	16	35	20	35	OFR16	OOF1625	OAS4020GC - 06130
82172	40	20	500	689	50	34	25	630	G 1/4"Å	16	35	20	35	OFR16	OOF1625	OAS4020GC - 06130
82173	40	20	550	739	50	34	25	680	G 1/4"	16	35	20	35	OFR16	OOF1625	OAS4020GC - 06130
82174	40	20	600	789	50	34	25	730	G 1/4"Å	16	35	20	35	OFR16	OOF1625	OAS4020GC - 06130
82175	40	20	650	839	50	34	25	780	G 1/4"	16	35	20	35	OFR16	OOF1625	OAS4020GC - 06130
82176	40	20	700	889	50	34	25	830	G 1/4"	16	35	20	35	OFR16	OOF1625	OAS4020GC - 06130
82177	40	20	750	939	50	34	25	880	G 1/4"	16	35	20	35	OFR16	OOF1625	OAS4020GC - 06130
82178	40	20	800	989	50	34	25	930	G 1/4"	16	35	20	35	OFR16	OOF1625	OAS4020GC - 06130
82179	40	20	850	1039	50	34	25	980	G 1/4"	16	35	20	35	OFR16	OOF1625	OAS4020GC - 06130
82180	40	20	900	1089	50	34	25	1030	G 1/4"	16	35	20	35	OFR16	OOF1625	OAS4020GC - 06130
82181	40	20	950	1139	50	34	25	1080	G 1/4"	16	35	20	35	OFR16	OOF1625	OAS4020GC - 06130
82182	40	20	1000	1189	50	34	25	1130	G 1/4"	16	35	20	35	OFR16	OOF1625	OAS4020GC - 06130
82183	40	25	50	239	50	34	25	180	G 1/4"	16	35	20	35	OFR16	OOF1625	OAS4025GC - 06130
82184	40	25	100	289	50	34	25	230	G 1/4"	16	35	20	35	OFR16	OOF1625	OAS4025GC - 06130
82185	40	25	150	339	50	34	25	280	G 1/4"	16	35	20	35	OFR16	OOF1625	OAS4025GC - 06130
82186	40	25	200	389	50	34	25	330	G 1/4"	16	35	20	35	OFR16	OOF1625	OAS4025GC - 06130
82187	40	25	250	439	50	34	25	380	G 1/4"	16	35	20	35	OFR16	OOF1625	OAS4025GC - 06130
82188	40	25	300	489	50	34	25	430	G 1/4"	16	35	20	35	OFR16	OOF1625	OAS4025GC - 06130
82189	40	25	350	539	50	34	25	480	G 1/4"	16	35	20	35	OFR16	OOF1625	OAS4025GC - 06130
82190	40	25	400	589	50	34	25	530	G 1/4"	16	35	20	35	OFR16	OOF1625	OAS4025GC - 06130
82191	40	25	450	639	50	34	25	580	G 1/4"	16	35	20	35	OFR16	OOF1625	OAS4025GC - 06130
82192	40	25	500	689	50	34	25	630	G 1/4"	16	35	20	35	OFR16	OOF1625	OAS4025GC - 06130
82193	40	25	550	739	50	34	25	680	G 1/4"	16	35	20	35	OFR16	OOF1625	OAS4025GC - 06130
82194	40	25	600	789	50	34	25	730	G 1/4"	16	35	20	35	OFR16	OOF1625	OAS4025GC - 06130
82195	40	25	650	839	50	34	25	780	G 1/4"	16	35	20	35	OFR16	OOF1625	OAS4025GC - 06130
82196	40	25	700	889	50	34	25	830	G 1/4"	16	35	20	35	OFR16	OOF1625	OAS4025GC - 06130
82197	40	25	750	939	50	34	25	880	G 1/4"	16	35	20	35	OFR16	OOF1625	OAS4025GC - 06130
82198	40	25	800	989	50	34	25	930	G 1/4"	16	35	20	35	OFR16	OOF1625	OAS4025GC - 06130
82199	40	25	850	1039	50	34	25	980	G 1/4"	16	35	20	35	OFR16	OOF1625	OAS4025GC - 06130
82200	40	25	900	1089	50	34	25	1030	G 1/4"	16	35	20	35	OFR16	OOF1625	OAS4025GC - 06130



Art./ Ref.	Alesaggio/ Cylinder bore	Stelo Ø/ Rod Ø	Corsa/ Stroke	A mm	B mm	C mm	D mm	E mm	G mm	H mm	I mm	L mm	M mm	N mm	O mm	Kit testa-kit pistone/ Rod guide kit-piston kit
82201	40	25	950	1139	50	34	25	1080	G 1/4"	16	35	20	35	OFR16	OOF1625	OAS4025GC - 06130
82203	50	25	100	310	60	40	30	240	G 3/8"	20	40	25	40	OFR20	OOF2030	OAS5025GC - 06132
82204	50	25	150	360	60	40	30	290	G 3/8"	20	40	25	40	OFR20	OOF2030	OAS5025GC - 06132
82205	50	25	200	410	60	40	30	340	G 3/8"	20	40	25	40	OFR20	OOF2030	OAS5025GC - 06132
82206	50	25	250	460	60	40	30	390	G 3/8"	20	40	25	40	OFR20	OOF2030	OAS5025GC - 06132
82207	50	25	300	510	60	40	30	440	G 3/8"	20	40	25	40	OFR20	OOF2030	OAS5025GC - 06132
82208	50	25	350	560	60	40	30	490	G 3/8"	20	40	25	40	OFR20	OOF2030	OAS5025GC - 06132
82209	50	25	400	610	60	40	30	540	G 3/8"	20	40	25	40	OFR20	OOF2030	OAS5025GC - 06132
82210	50	25	450	660	60	40	30	590	G 3/8"	20	40	25	40	OFR20	OOF2030	OAS5025GC - 06132
82211	50	25	500	710	60	40	30	640	G 3/8"	20	40	25	40	OFR20	OOF2030	OAS5025GC - 06132
82212	50	25	550	760	60	40	30	690	G 3/8"	20	40	25	40	OFR20	OOF2030	OAS5025GC - 06132
82213	50	25	600	810	60	40	30	740	G 3/8"	20	40	25	40	OFR20	OOF2030	OAS5025GC - 06132
82214	50	25	650	860	60	40	30	790	G 3/8"	20	40	25	40	OFR20	OOF2030	OAS5025GC - 06132
82215	50	25	700	910	60	40	30	840	G 3/8"	20	40	25	40	OFR20	OOF2030	OAS5025GC - 06132
82216	50	25	750	960	60	40	30	890	G 3/8"	20	40	25	40	OFR20	OOF2030	OAS5025GC - 06132
82217	50	25	800	1010	60	40	30	940	G 3/8"	20	40	25	40	OFR20	OOF2030	OAS5025GC - 06132
82218	50	25	850	1060	60	40	30	990	G 3/8"	20	40	25	40	OFR20	OOF2030	OAS5025GC - 06132
82219	50	25	900	1110	60	40	30	1040	G 3/8"	20	40	25	40	OFR20	OOF2030	OAS5025GC - 06132
82220	50	25	950	1160	60	40	30	1090	G 3/8"	20	40	25	40	OFR20	OOF2030	OAS5025GC - 06132
82221	50	25	1000	1210	60	40	30	1140	G 3/8"	20	40	25	40	OFR20	OOF2030	OAS5025GC - 06132
82222	50	30	100	310	60	40	30	240	G 3/8"	20	40	25	40	OFR20	OOF2030	OAS5030GC - 06132
82223	50	30	150	360	60	40	30	290	G 3/8"	20	40	25	40	OFR20	OOF2030	OAS5030GC - 06132
82224	50	30	200	410	60	40	30	340	G 3/8"	20	40	25	40	OFR20	OOF2030	OAS5030GC - 06132
82225	50	30	250	460	60	40	30	390	G 3/8"	20	40	25	40	OFR20	OOF2030	OAS5030GC - 06132
82226	50	30	300	510	60	40	30	440	G 3/8"	20	40	25	40	OFR20	OOF2030	OAS5030GC - 06132
82227	50	30	350	560	60	40	30	490	G 3/8"	20	40	25	40	OFR20	OOF2030	OAS5030GC - 06132
82228	50	30	400	610	60	40	30	540	G 3/8"	20	40	25	40	OFR20	OOF2030	OAS5030GC - 06132
82229	50	30	450	660	60	40	30	590	G 3/8"	20	40	25	40	OFR20	OOF2030	OAS5030GC - 06132
82230	50	30	500	710	60	40	30	640	G 3/8"	20	40	25	40	OFR20	OOF2030	OAS5030GC - 06132
82231	50	30	550	760	60	40	30	690	G 3/8"	20	40	25	40	OFR20	OOF2030	OAS5030GC - 06132
82232	50	30	600	810	60	40	30	740	G 3/8"	20	40	25	40	OFR20	OOF2030	OAS5030GC - 06132
82233	50	30	650	860	60	40	30	790	G 3/8"	20	40	25	40	OFR20	OOF2030	OAS5030GC - 06132
82234	50	30	700	910	60	40	30	840	G 3/8"	20	40	25	40	OFR20	OOF2030	OAS5030GC - 06132
82235	50	30	750	960	60	40	30	890	G 3/8"	20	40	25	40	OFR20	OOF2030	OAS5030GC - 06132
82236	50	30	800	1010	60	40	30	940	G 3/8"	20	40	25	40	OFR20	OOF2030	OAS5030GC - 06132
82237	50	30	850	1060	60	40	30	990	G 3/8"	20	40	25	40	OFR20	OOF2030	OAS5030GC - 06132
82238	50	30	900	1110	60	40	30	1040	G 3/8"	20	40	25	40	OFR20	OOF2030	OAS5030GC - 06132
82239	50	30	950	1160	60	40	30	1090	G 3/8"	20	40	25	40	OFR20	OOF2030	OAS5030GC - 06132
82240	50	30	1000	1210	60	40	30	1140	G 3/8"	20	40	25	40	OFR20	OOF2030	OAS5030GC - 06132
82241	60	30	100	340	70	45	35	260	G 3/8"	25	50	30	50	OFR25	OOF2535	OAS6030GC - 06133
82242	60	30	150	390	70	45	35	310	G 3/8"	25	50	30	50	OFR25	OOF2535	OAS6030GC - 06133
82243	60	30	200	440	70	45	35	360	G 3/8"	25	50	30	50	OFR25	OOF2535	OAS6030GC - 06133
82244	60	30	250	490	70	45	35	410	G 3/8"	25	50	30	50	OFR25	OOF2535	OAS6030GC - 06133
82245	60	30	300	540	70	45	35	460	G 3/8"	25	50	30	50	OFR25	OOF2535	OAS6030GC - 06133
82246	60	30	350	590	70	45	35	510	G 3/8"	25	50	30	50	OFR25	OOF2535	OAS6030GC - 06133
82247	60	30	400	640	70	45	35	560	G 3/8"	25	50	30	50	OFR25	OOF2535	OAS6030GC - 06133
82248	60	30	450	690	70	45	35	610	G 3/8"	25	50	30	50	OFR25	OOF2535	OAS6030GC - 06133
82249	60	30	500	740	70	45	35	660	G 3/8"	25	50	30	50	OFR25	OOF2535	OAS6030GC - 06133



Art./ Ref.	Alesaggio/ Cylinder bore	Stelo Ø/ Rod Ø	Corsa/ Stroke	A mm	B mm	C mm	D mm	E mm	G mm	H mm	I mm	L mm	M mm	N mm	O mm	Kit testa-kit pistone/ Rod guide kit-piston kit
82250	60	30	550	790	70	45	35	710	G 3/8"	25	50	30	50	0FR25	00F2535	0AS6030GC - 06133
82251	60	30	600	840	70	45	35	760	G 3/8"	25	50	30	50	0FR25	00F2535	0AS6030GC - 06133
82252	60	30	650	890	70	45	35	810	G 3/8"	25	50	30	50	0FR25	00F2535	0AS6030GC - 06133
82253	60	30	700	940	70	45	35	860	G 3/8"	25	50	30	50	0FR25	00F2535	0AS6030GC - 06133
82254	60	30	750	990	70	45	35	910	G 3/8"	25	50	30	50	0FR25	00F2535	0AS6030GC - 06133
82255	60	30	800	1040	70	45	35	960	G 3/8"	25	50	30	50	0FR25	00F2535	0AS6030GC - 06133
82256	60	30	850	1090	70	45	35	1010	G 3/8"	25	50	30	50	0FR25	00F2535	0AS6030GC - 06133
82257	60	30	900	1140	70	45	35	1060	G 3/8"	25	50	30	50	0FR25	00F2535	0AS6030GC - 06133
82258	60	30	950	1190	70	45	35	1110	G 3/8"	25	50	30	50	0FR25	00F2535	0AS6030GC - 06133
82259	60	30	1000	1240	70	45	35	1160	G 3/8"	25	50	30	50	0FR25	00F2535	0AS6030GC - 06133
82260	60	35	100	340	70	45	35	260	G 3/8"	25	50	30	50	0FR25	00F2535	0AS6035GC - 06133
82261	60	35	150	390	70	45	35	310	G 3/8"	25	50	30	50	0FR25	00F2535	0AS6035GC - 06133
82262	60	35	200	440	70	45	35	360	G 3/8"	25	50	30	50	0FR25	00F2535	0AS6035GC - 06133
82263	60	35	250	490	70	45	35	410	G 3/8"	25	50	30	50	0FR25	00F2535	0AS6035GC - 06133
82264	60	35	300	540	70	45	35	460	G 3/8"	25	50	30	50	0FR25	00F2535	0AS6035GC - 06133
82265	60	35	350	590	70	45	35	510	G 3/8"	25	50	30	50	0FR25	00F2535	0AS6035GC - 06133
82266	60	35	400	640	70	45	35	560	G 3/8"	25	50	30	50	0FR25	00F2535	0AS6035GC - 06133
82267	60	35	450	690	70	45	35	610	G 3/8"	25	50	30	50	0FR25	00F2535	0AS6035GC - 06133
82268	60	35	500	740	70	45	35	660	G 3/8"	25	50	30	50	0FR25	00F2535	0AS6035GC - 06133
82269	60	35	550	790	70	45	35	710	G 3/8"	25	50	30	50	0FR25	00F2535	0AS6035GC - 06133
82270	60	35	600	840	70	45	35	760	G 3/8"	25	50	30	50	0FR25	00F2535	0AS6035GC - 06133
82271	60	35	650	890	70	45	35	810	G 3/8"	25	50	30	50	0FR25	00F2535	0AS6035GC - 06133
82272	60	35	700	940	70	45	35	860	G 3/8"	25	50	30	50	0FR25	00F2535	0AS6035GC - 06133
82273	60	35	750	990	70	45	35	910	G 3/8"	25	50	30	50	0FR25	00F2535	0AS6035GC - 06133
82274	60	35	800	1040	70	45	35	960	G 3/8"	25	50	30	50	0FR25	00F2535	0AS6035GC - 06133
82275	60	35	850	1090	70	45	35	1010	G 3/8"	25	50	30	50	0FR25	00F2535	0AS6035GC - 06133
82276	60	35	900	1140	70	45	35	1060	G 3/8"	25	50	30	50	0FR25	00F2535	0AS6035GC - 06133
82278	60	35	1000	1240	70	45	35	1160	G 3/8"	25	50	30	50	0FR25	00F2535	0AS6035GC - 06133
82279	60	40	100	340	70	45	35	260	G 3/8"	25	50	30	50	0FR25	00F2535	0AS6040GC, 18219
82280	60	40	150	390	70	45	35	310	G 3/8"	25	50	30	50	0FR25	00F2535	0AS6040GC, 18219
82281	60	40	200	440	70	45	35	360	G 3/8"	25	50	30	50	0FR25	00F2535	0AS6040GC, 18219
82282	60	40	250	490	70	45	35	410	G 3/8"	25	50	30	50	0FR25	00F2535	0AS6040GC, 18219
82283	60	40	300	540	70	45	35	460	G 3/8"	25	50	30	50	0FR25	00F2535	0AS6040GC, 18219
82284	60	40	350	590	70	45	35	510	G 3/8"	25	50	30	50	0FR25	00F2535	0AS6040GC, 18219
82285	60	40	400	640	70	45	35	560	G 3/8"	25	50	30	50	0FR25	00F2535	0AS6040GC, 18219
82286	60	40	450	690	70	45	35	610	G 3/8"	25	50	30	50	0FR25	00F2535	0AS6040GC, 18219
82287	60	40	500	740	70	45	35	660	G 3/8"	25	50	30	50	0FR25	00F2535	0AS6040GC, 18219
82288	60	40	550	790	70	45	35	710	G 3/8"	25	50	30	50	0FR25	00F2535	0AS6040GC, 18219
82289	60	40	600	840	70	45	35	760	G 3/8"	25	50	30	50	0FR25	00F2535	0AS6040GC, 18219
82291	60	40	700	940	70	45	35	860	G 3/8"	25	50	30	50	0FR25	00F2535	0AS6040GC, 18219
82293	60	40	800	1040	70	45	35	960	G 3/8"	25	50	30	50	0FR25	00F2535	0AS6040GC, 18219
82295	60	40	900	1140	70	45	35	1060	G 3/8"	25	50	30	50	0FR25	00F2535	0AS6040GC, 18219
82297	60	40	1000	1240	70	45	35	1160	G 3/8"	25	50	30	50	0FR25	00F2535	0AS6040GC, 18219
82298	70	35	100	340	80	45	35	260	G 3/8"	25	50	30	50	0FR25	00F2535	0AS7035GC - 06135
82299	70	35	150	390	80	45	35	310	G 3/8"	25	50	30	50	0FR25	00F2535	0AS7035GC - 06135
82300	70	35	200	440	80	45	35	360	G 3/8"	25	50	30	50	0FR25	00F2535	0AS7035GC - 06135
82301	70	35	250	490	80	45	35	410	G 3/8"	25	50	30	50	0FR25	00F2535	0AS7035GC - 06135
82302	70	35	300	540	80	45	35	460	G 3/8"	25	50	30	50	0FR25	00F2535	0AS7035GC - 06135



Art./ Ref.	Alesaggio/ Cylinder bore	Stelo Ø/ Rod Ø	Corsa/ Stroke	A mm	B mm	C mm	D mm	E mm	G mm	H mm	I mm	L mm	M mm	N mm	O mm	Kit testa-kit pistone/ Rod guide kit-piston kit
82303	70	35	350	590	80	45	35	510	G 3/8"	25	50	30	50	OFR25	00F2535	0AS7035GC - 06135
82304	70	35	400	640	80	45	35	560	G 3/8"	25	50	30	50	OFR25	00F2535	0AS7035GC - 06135
82305	70	35	450	690	80	45	35	610	G 3/8"	25	50	30	50	OFR25	00F2535	0AS7035GC - 06135
82306	70	35	500	740	80	45	35	660	G 3/8"	25	50	30	50	OFR25	00F2535	0AS7035GC - 06135
82307	70	35	550	790	80	45	35	710	G 3/8"	25	50	30	50	OFR25	00F2535	0AS7035GC - 06135
82308	70	35	600	840	80	45	35	760	G 3/8"	25	50	30	50	OFR25	00F2535	0AS7035GC - 06135
82310	70	35	700	940	80	45	35	860	G 3/8"	25	50	30	50	OFR25	00F2535	0AS7035GC - 06135
82312	70	35	800	1040	80	45	35	960	G 3/8"	25	50	30	50	OFR25	00F2535	0AS7035GC - 06135
82314	70	35	900	1140	80	45	35	1060	G 3/8"	25	50	30	50	OFR25	00F2535	0AS7035GC - 06135
82316	70	35	1000	1240	80	45	35	1160	G 3/8"	25	50	30	50	OFR25	00F2535	0AS7035GC - 06135
82317	70	40	100	340	80	45	35	260	G 3/8"	25	50	30	50	OFR25	00F2535	0AS7040GC - 06135
82318	70	40	150	390	80	45	35	310	G 3/8"	25	50	30	50	OFR25	00F2535	0AS7040GC - 06135
82319	70	40	200	440	80	45	35	360	G 3/8"	25	50	30	50	OFR25	00F2535	0AS7040GC - 06135
82320	70	40	250	490	80	45	35	410	G 3/8"	25	50	30	50	OFR25	00F2535	0AS7040GC - 06135
82321	70	40	300	540	80	45	35	460	G 3/8"	25	50	30	50	OFR25	00F2535	0AS7040GC - 06135
82322	70	40	350	590	80	45	35	510	G 3/8"	25	50	30	50	OFR25	00F2535	0AS7040GC - 06135
82323	70	40	400	640	80	45	35	560	G 3/8"	25	50	30	50	OFR25	00F2535	0AS7040GC - 06135
82324	70	40	450	690	80	45	35	610	G 3/8"	25	50	30	50	OFR25	00F2535	0AS7040GC - 06135
82325	70	40	500	740	80	45	35	660	G 3/8"	25	50	30	50	OFR25	00F2535	0AS7040GC - 06135
82326	70	40	550	790	80	45	35	710	G 3/8"	25	50	30	50	OFR25	00F2535	0AS7040GC - 06135
82327	70	40	600	840	80	45	35	760	G 3/8"	25	50	30	50	OFR25	00F2535	0AS7040GC - 06135
82329	70	40	700	940	80	45	35	860	G 3/8"	25	50	30	50	OFR25	00F2535	0AS7040GC - 06135
82330	70	40	750	990	80	45	35	910	G 3/8"	25	50	30	50	OFR25	00F2535	0AS7040GC - 06135
82331	70	40	800	1040	80	45	35	960	G 3/8"	25	50	30	50	OFR25	00F2535	0AS7040GC - 06135
82332	70	40	850	1090	80	45	35	1010	G 3/8"	25	50	30	50	OFR25	00F2535	0AS7040GC - 06135
82333	70	40	900	1140	80	45	35	1060	G 3/8"	25	50	30	50	OFR25	00F2535	0AS7040GC - 06135
82334	70	40	950	1190	80	45	35	1110	G 3/8"	25	50	30	50	OFR25	00F2535	0AS7040GC - 06135
82335	70	40	1000	1240	80	45	35	1160	G 3/8"	25	50	30	50	OFR25	00F2535	0AS7040GC - 06135

CILINDRI A DOPPIO EFFETTO CON BOCCOLE

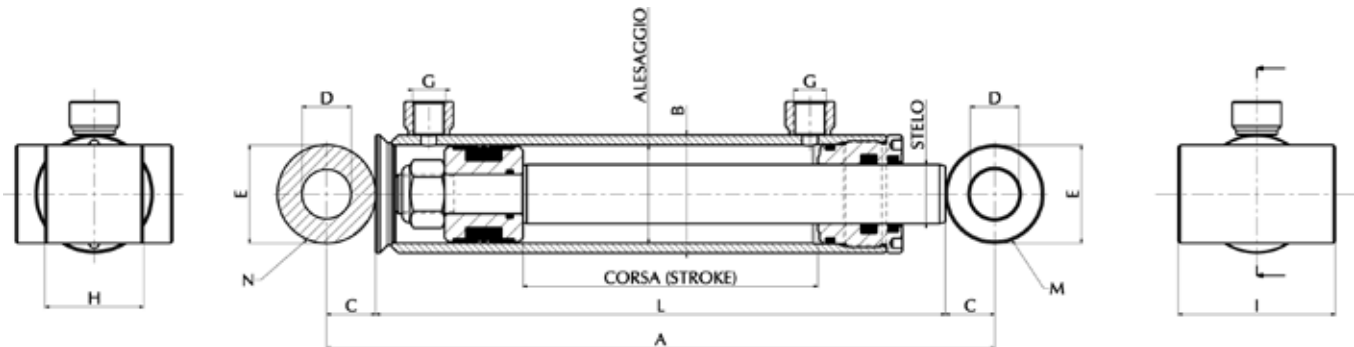
VERINS A DOUBLE EFFET AVEC DOUILLES

HYDRAULIC CYLINDERS DOUBLE ACTING WITH FERRULES

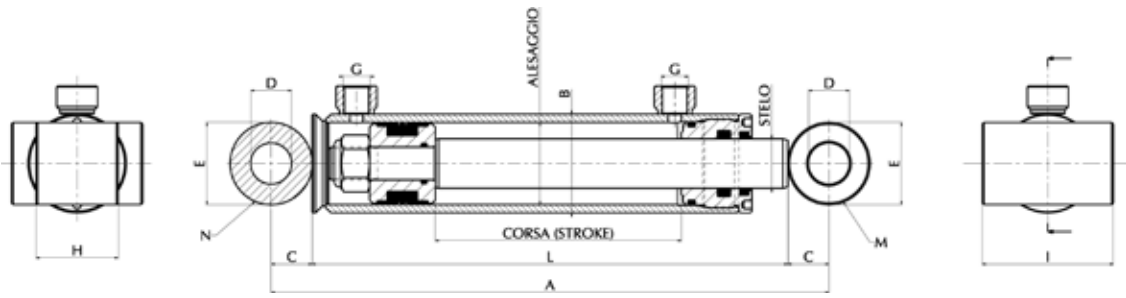
HYDRAULISCHE ZYLINDER DOPPELWIRKEND MIT BUCHSEN

CILINDROS DOBLE EFECTO CON CASQUILLOS

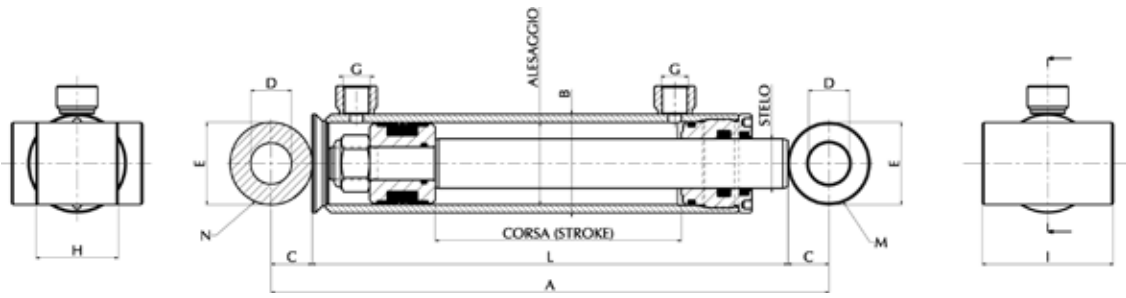
ЦИЛИНДРЫ ДВОЙНОГО ДЕЙСТВИЯ С ВТУЛКАМИ



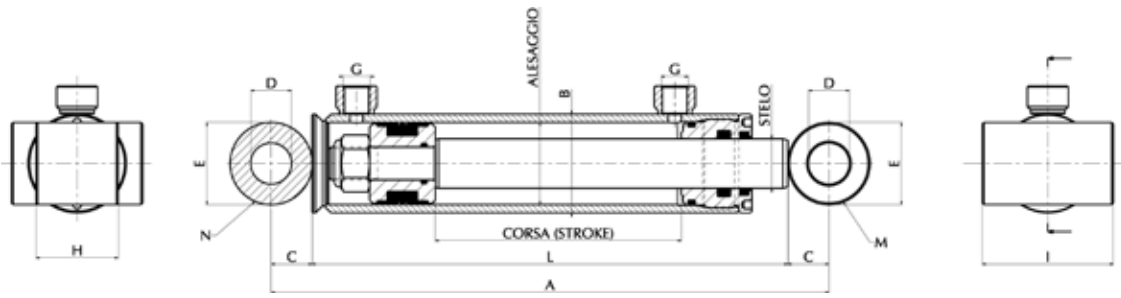
Art./Ref.	Alesaggio/ Cylinder bore	Stelo Ø/ Rod Ø	Corsa/ Stroke	A mm	B mm	C mm	D mm	E mm	G mm	H mm	I mm	L mm	M mm	N mm	Kit testa-kit pistone/ Rod guide kit-piston kit
82412	40	20	50	215	50	17.5	16	35	G 1/4"	30	60	180	OBM1635	OBB1635	OAS4020GC - 06130
82413	40	20	100	265	50	17.5	16	35	G 1/4"	30	60	230	OBM1635	OBB1635	OAS4020GC - 06130
82415	40	20	200	365	50	17.5	16	35	G 1/4"	30	60	330	OBM1635	OBB1635	OAS4020GC - 06130
82416	40	20	250	415	50	17.5	16	35	G 1/4"	30	60	380	OBM1635	OBB1635	OAS4020GC - 06130
82417	40	20	300	465	50	17.5	16	35	G 1/4"	30	60	430	OBM1635	OBB1635	OAS4020GC - 06130
82418	40	20	350	515	50	17.5	16	35	G 1/4"	30	60	480	OBM1635	OBB1635	OAS4020GC - 06130
82419	40	20	400	565	50	17.5	16	35	G 1/4"	30	60	530	OBM1635	OBB1635	OAS4020GC - 06130
82420	40	20	450	615	50	17.5	16	35	G 1/4"	30	60	580	OBM1635	OBB1635	OAS4020GC - 06130
82421	40	20	500	665	50	17.5	16	35	G 1/4"	30	60	630	OBM1635	OBB1635	OAS4020GC - 06130
82422	40	20	550	715	50	17.5	16	35	G 1/4"	30	60	680	OBM1635	OBB1635	OAS4020GC - 06130
82423	40	20	600	765	50	17.5	16	35	G 1/4"	30	60	730	OBM1635	OBB1635	OAS4020GC - 06130
82424	40	20	650	815	50	17.5	16	35	G 1/4"	30	60	780	OBM1635	OBB1635	OAS4020GC - 06130
82425	40	20	700	865	50	17.5	16	35	G 1/4"	30	60	830	OBM1635	OBB1635	OAS4020GC - 06130
82426	40	20	750	915	50	17.5	16	35	G 1/4"	30	60	880	OBM1635	OBB1635	OAS4020GC - 06130
82427	40	20	800	965	50	17.5	16	35	G 1/4"	30	60	930	OBM1635	OBB1635	OAS4020GC - 06130
82428	40	20	850	1015	50	17.5	16	35	G 1/4"	30	60	980	OBM1635	OBB1635	OAS4020GC - 06130
82429	40	20	900	1065	50	17.5	16	35	G 1/4"Ä	30	60	1030	OBM1635	OBB1635	OAS4020GC - 06130
82430	40	20	950	1115	50	17.5	16	35	G 1/4"Ä	30	60	1080	OBM1635	OBB1635	OAS4020GC - 06130
82431	40	20	1000	1165	50	17.5	16	35	G 1/4"Ä	30	60	1130	OBM1635	OBB1635	OAS4020GC - 06130
82432	40	25	50	215	50	17.5	16	35	G 1/4"Ä	30	60	180	OBM1635	OBB1635	OAS4025GC - 06130
82433	40	25	100	265	50	17.5	16	35	G 1/4"Ä	30	60	230	OBM1635	OBB1635	OAS4025GC - 06130
82434	40	25	150	315	50	17.5	16	35	G 1/4"Ä	30	60	280	OBM1635	OBB1635	OAS4025GC - 06130
82435	40	25	200	365	50	17.5	16	35	G 1/4"Ä	30	60	330	OBM1635	OBB1635	OAS4025GC - 06130
82436	40	25	250	415	50	17.5	16	35	G 1/4"Ä	30	60	380	OBM1635	OBB1635	OAS4025GC - 06130
82437	40	25	300	465	50	17.5	16	35	G 1/4"Ä	30	60	430	OBM1635	OBB1635	OAS4025GC - 06130
82438	40	25	350	515	50	17.5	16	35	G 1/4"Ä	30	60	480	OBM1635	OBB1635	OAS4025GC - 06130
82439	40	25	400	565	50	17.5	16	35	G 1/4"	30	60	530	OBM1635	OBB1635	OAS4025GC - 06130
82440	40	25	450	615	50	17.5	16	35	G 1/4"	30	60	580	OBM1635	OBB1635	OAS4025GC - 06130
82441	40	25	500	665	50	17.5	16	35	G 1/4"	30	60	630	OBM1635	OBB1635	OAS4025GC - 06130
82442	40	25	550	715	50	17.5	16	35	G 1/4"	30	60	680	OBM1635	OBB1635	OAS4025GC - 06130
82443	40	25	600	765	50	17.5	16	35	G 1/4"	30	60	730	OBM1635	OBB1635	OAS4025GC - 06130
82444	40	25	650	815	50	17.5	16	35	G 1/4"	30	60	780	OBM1635	OBB1635	OAS4025GC - 06130
82445	40	25	700	865	50	17.5	16	35	G 1/4"	30	60	830	OBM1635	OBB1635	OAS4025GC - 06130
82446	40	25	750	915	50	17.5	16	35	G 1/4"	30	60	880	OBM1635	OBB1635	OAS4025GC - 06130
82447	40	25	800	965	50	17.5	16	35	G 1/4"	30	60	930	OBM1635	OBB1635	OAS4025GC - 06130
82448	40	25	850	1015	50	17.5	16	35	G 1/4"	30	60	980	OBM1635	OBB1635	OAS4025GC - 06130
82449	40	25	900	1065	50	17.5	16	35	G 1/4"	30	60	1030	OBM1635	OBB1635	OAS4025GC - 06130



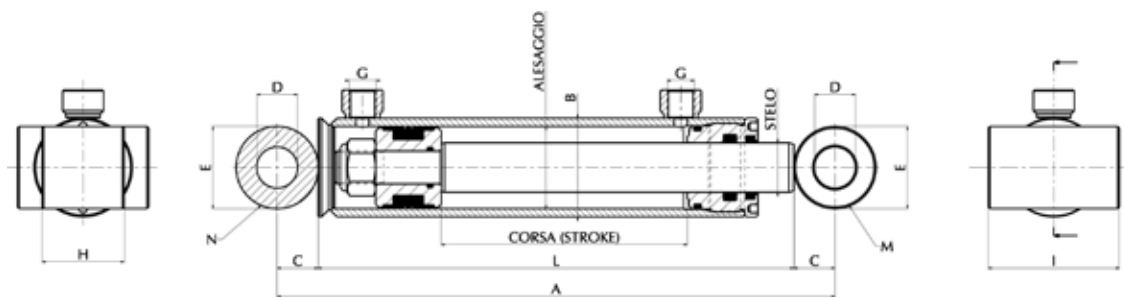
Art./Ref.	Alesaggio/ Cylinder bore	Stelo Ø/ Rod Ø	Corsa/ Stroke	A mm	B mm	C mm	D mm	E mm	G mm	H mm	I mm	L mm	M mm	N mm	Kit testa-kit pistone/ Rod guide kit-piston kit
82450	40	25	950	1115	50	17.5	16	35	G 1/4"	30	60	1080	OBB1635	OBB1635	0AS4025GC - 06130
82451	40	25	1000	1165	50	17.5	16	35	G 1/4"	30	60	1130	OBB1635	OBB1635	0AS4025GC - 06130
82452	50	25	100	280	60	20	20	40	G 3/8"	40	70	240	OBB2040	OBB2040	0AS5025GC - 06132
82453	50	25	150	330	60	20	20	35	G 3/8"	40	70	290	OBB2040	OBB2040	0AS5025GC - 06132
82454	50	25	200	380	60	20	20	40	G 3/8"	40	70	340	OBB2040	OBB2040	0AS5025GC - 06132
82455	50	25	250	430	60	20	20	40	G 3/8"	40	70	390	OBB2040	OBB2040	0AS5025GC - 06132
82456	50	25	300	480	60	20	20	40	G 3/8"	40	70	440	OBB2040	OBB2040	0AS5025GC - 06132
82457	50	25	350	530	60	20	20	40	G 3/8"	40	70	490	OBB2040	OBB2040	0AS5025GC - 06132
82458	50	25	400	580	60	20	20	40	G 3/8"	40	70	540	OBB2040	OBB2040	0AS5025GC - 06132
82459	50	25	450	630	60	20	20	40	G 3/8"	40	70	590	OBB2040	OBB2040	0AS5025GC - 06132
82460	50	25	500	680	60	20	20	40	G 3/8"	40	70	640	OBB2040	OBB2040	0AS5025GC - 06132
82461	50	25	550	730	60	20	20	40	G 3/8"	40	70	690	OBB2040	OBB2040	0AS5025GC - 06132
82462	50	25	600	780	60	20	20	40	G 3/8"	40	70	740	OBB2040	OBB2040	0AS5025GC - 06132
82463	50	25	650	830	60	20	20	40	G 3/8"	40	70	790	OBB2040	OBB2040	0AS5025GC - 06132
82464	50	25	700	880	60	20	20	40	G 3/8"	40	70	840	OBB2040	OBB2040	0AS5025GC - 06132
82465	50	25	750	930	60	20	20	40	G 3/8"	40	70	890	OBB2040	OBB2040	0AS5025GC - 06132
82466	50	25	800	980	60	20	20	40	G 3/8"	40	70	940	OBB2040	OBB2040	0AS5025GC - 06132
82467	50	25	850	1030	60	20	20	40	G 3/8"	40	70	990	OBB2040	OBB2040	0AS5025GC - 06132
82468	50	25	900	1080	60	20	20	40	G 3/8"	40	70	1040	OBB2040	OBB2040	0AS5025GC - 06132
82469	50	25	950	1130	60	20	20	40	G 3/8"	40	70	1090	OBB2040	OBB2040	0AS5025GC - 06132
82470	50	25	1000	1180	60	20	20	40	G 3/8"	40	70	1140	OBB2040	OBB2040	0AS5025GC - 06132
82471	50	30	100	290	60	25	25	50	G 3/8"	50	80	240	OBB2550	OBB2550	0AS5030GC - 06132
82472	50	30	150	340	60	25	25	50	G 3/8"	50	80	290	OBB2550	OBB2550	0AS5030GC - 06132
82473	50	30	200	390	60	25	25	50	G 3/8"	50	80	340	OBB2550	OBB2550	0AS5030GC - 06132
82474	50	30	250	440	60	25	25	50	G 3/8"	50	80	390	OBB2550	OBB2550	0AS5030GC - 06132
82475	50	30	300	490	60	25	25	50	G 3/8"	50	80	440	OBB2550	OBB2550	0AS5030GC - 06132
82476	50	30	350	540	60	25	25	50	G 3/8"	50	80	490	OBB2550	OBB2550	0AS5030GC - 06132
82477	50	30	400	590	60	25	25	50	G 3/8"	50	80	540	OBB2550	OBB2550	0AS5030GC - 06132
82478	50	30	450	640	60	25	25	50	G 3/8"	50	80	590	OBB2550	OBB2550	0AS5030GC - 06132
82479	50	30	500	690	60	25	25	50	G 3/8"	50	80	640	OBB2550	OBB2550	0AS5030GC - 06132
82480	50	30	550	740	60	25	25	50	G 3/8"	50	80	690	OBB2550	OBB2550	0AS5030GC - 06132
82481	50	30	600	790	60	25	25	50	G 3/8"	50	80	740	OBB2550	OBB2550	0AS5030GC - 06132
82482	50	30	650	840	60	25	25	50	G 3/8"	50	80	790	OBB2550	OBB2550	0AS5030GC - 06132
82483	50	30	700	890	60	25	25	50	G 3/8"	50	80	840	OBB2550	OBB2550	0AS5030GC - 06132
82485	50	30	800	990	60	25	25	50	G 3/8"	50	80	940	OBB2550	OBB2550	0AS5030GC - 06132
82486	50	30	850	1040	60	25	25	50	G 3/8"	50	80	990	OBB2550	OBB2550	0AS5030GC - 06132
82487	50	30	900	1090	60	25	25	50	G 3/8"	50	80	1040	OBB2550	OBB2550	0AS5030GC - 06132
82488	50	30	950	1140	60	25	25	50	G 3/8"	50	80	1090	OBB2550	OBB2550	0AS5030GC - 06132
82489	50	30	1000	1190	60	25	25	50	G 3/8"	50	80	1140	OBB2550	OBB2550	0AS5030GC - 06132
82490	60	30	100	310	70	25	25	50	G 3/8"	50	80	260	OBB2550	OBB2550	0AS6030GC - 06133
82491	60	30	150	360	70	25	25	50	G 3/8"	50	80	310	OBB2550	OBB2550	0AS6030GC - 06133
82492	60	30	200	410	70	25	25	50	G 3/8"	50	80	360	OBB2550	OBB2550	0AS6030GC - 06133
82493	60	30	250	460	70	25	25	50	G 3/8"	50	80	410	OBB2550	OBB2550	0AS6030GC - 06133
82494	60	30	300	510	70	25	25	50	G 3/8"	50	80	460	OBB2550	OBB2550	0AS6030GC - 06133
82495	60	30	350	560	70	25	25	50	G 3/8"	50	80	510	OBB2550	OBB2550	0AS6030GC - 06133
82496	60	30	400	610	70	25	25	50	G 3/8"	50	80	560	OBB2550	OBB2550	0AS6030GC - 06133
82497	60	30	450	660	70	25	25	50	G 3/8"	50	80	610	OBB2550	OBB2550	0AS6030GC - 06133
82498	60	30	500	710	70	25	25	50	G 3/8"	50	80	660	OBB2550	OBB2550	0AS6030GC - 06133



Art./Ref.	Alesaggio/ Cylinder bore	Stelo Ø/ Rod Ø	Corsa/ Stroke	A mm	B mm	C mm	D mm	E mm	G mm	H mm	I mm	L mm	M mm	N mm	Kit testa-kit pistone/ Rod guide kit-piston kit
82499	60	30	550	760	70	25	25	50	G 3/8"	50	80	710	OBM2550	OBB2550	0AS6030GC - 06133
82500	60	30	600	810	70	25	25	50	G 3/8"	50	80	760	OBM2550	OBB2550	0AS6030GC - 06133
82501	60	30	650	860	70	25	25	50	G 3/8"	50	80	810	OBM2550	OBB2550	0AS6030GC - 06133
82502	60	30	700	910	70	25	25	50	G 3/8"	50	80	860	OBM2550	OBB2550	0AS6030GC - 06133
82503	60	30	750	960	70	25	25	50	G 3/8"	50	80	910	OBM2550	OBB2550	0AS6030GC - 06133
82504	60	30	800	1010	70	25	25	50	G 3/8"	50	80	960	OBM2550	OBB2550	0AS6030GC - 06133
82505	60	30	850	1060	70	25	25	50	G 3/8"	50	80	1010	OBM2550	OBB2550	0AS6030GC - 06133
82506	60	30	900	1110	70	25	25	50	G 3/8"	50	80	1060	OBM2550	OBB2550	0AS6030GC - 06133
82507	60	30	950	1160	70	25	25	50	G 3/8"	50	80	1110	OBM2550	OBB2550	0AS6030GC - 06133
82508	60	30	1000	1210	70	25	25	50	G 3/8"	50	80	1160	OBM2550	OBB2550	0AS6030GC - 06133
82509	60	35	100	310	70	25	25	50	G 3/8"	50	80	260	OBM2550	OBB2550	0AS6035GC - 06133
82510	60	35	150	360	70	25	25	50	G 3/8"	50	80	310	OBM2550	OBB2550	0AS6035GC - 06133
82511	60	35	200	410	70	25	25	50	G 3/8"	50	80	360	OBM2550	OBB2550	0AS6035GC - 06133
82512	60	35	250	460	70	25	25	50	G 3/8"	50	80	410	OBM2550	OBB2550	0AS6035GC - 06133
82513	60	35	300	510	70	25	25	50	G 3/8"	50	80	460	OBM2550	OBB2550	0AS6035GC - 06133
82514	60	35	350	560	70	25	25	50	G 3/8"	50	80	510	OBM2550	OBB2550	0AS6035GC - 06133
82515	60	35	400	610	70	25	25	50	G 3/8"	50	80	560	OBM2550	OBB2550	0AS6035GC - 06133
82516	60	35	450	660	70	25	25	50	G 3/8"	50	80	610	OBM2550	OBB2550	0AS6035GC - 06133
82517	60	35	500	710	70	25	25	50	G 3/8"	50	80	660	OBM2550	OBB2550	0AS6035GC - 06133
82518	60	35	550	760	70	25	25	50	G 3/8"	50	80	710	OBM2550	OBB2550	0AS6035GC - 06133
82519	60	35	600	810	70	25	25	50	G 3/8"	50	80	760	OBM2550	OBB2550	0AS6035GC - 06133
82520	60	35	650	860	70	25	25	50	G 3/8"	50	80	810	OBM2550	OBB2550	0AS6035GC - 06133
82521	60	35	700	910	70	25	25	50	G 3/8"	50	80	860	OBM2550	OBB2550	0AS6035GC - 06133
82522	60	35	750	960	70	25	25	50	G 3/8"	50	80	910	OBM2550	OBB2550	0AS6035GC - 06133
82523	60	35	800	1010	70	25	25	50	G 3/8"	50	80	960	OBM2550	OBB2550	0AS6035GC - 06133
82524	60	35	850	1060	70	25	25	50	G 3/8"	50	80	1010	OBM2550	OBB2550	0AS6035GC - 06133
82525	60	35	900	1110	70	25	25	50	G 3/8"	50	80	1060	OBM2550	OBB2550	0AS6035GC - 06133
82526	60	35	950	1160	70	25	25	50	G 3/8"	50	80	1110	OBM2550	OBB2550	0AS6035GC - 06133
82527	60	35	1000	1210	70	25	25	50	G 3/8"	50	80	1160	OBM2550	OBB2550	0AS6035GC - 06133
82528	60	40	100	310	70	25	25	50	G 3/8"	50	80	260	OBM2550	OBB2550	0AS6040GC, 18219
82529	60	40	150	360	70	25	25	50	G 3/8"	50	80	310	OBM2550	OBB2550	0AS6040GC, 18219
82530	60	40	200	410	70	25	25	50	G 3/8"	50	80	360	OBM2550	OBB2550	0AS6040GC, 18219
82531	60	40	250	460	70	25	25	50	G 3/8"	50	80	410	OBM2550	OBB2550	0AS6040GC, 18219
82532	60	40	300	510	70	25	25	50	G 3/8"	50	80	460	OBM2550	OBB2550	0AS6040GC, 18219
82533	60	40	350	560	70	25	25	50	G 3/8"	50	80	510	OBM2550	OBB2550	0AS6040GC, 18219
82534	60	40	400	610	70	25	25	50	G 3/8"	50	80	560	OBM2550	OBB2550	0AS6040GC, 18219
82536	60	40	500	710	70	25	25	50	G 3/8"	50	80	660	OBM2550	OBB2550	0AS6040GC, 18219
82537	60	40	550	760	70	25	25	50	G 3/8"	50	80	710	OBM2550	OBB2550	0AS6040GC, 18219
82538	60	40	600	810	70	25	25	50	G 3/8"	50	80	760	OBM2550	OBB2550	0AS6040GC, 18219
82539	60	40	650	860	70	25	25	50	G 3/8"	50	80	810	OBM2550	OBB2550	0AS6040GC, 18219
82540	60	40	700	910	70	25	25	50	G 3/8"	50	80	860	OBM2550	OBB2550	0AS6040GC, 18219
82541	60	40	750	960	70	25	25	50	G 3/8"	50	80	910	OBM2550	OBB2550	0AS6040GC, 18219
82542	60	40	800	1010	70	25	25	50	G 3/8"	50	80	960	OBM2550	OBB2550	0AS6040GC, 18219
82543	60	40	850	1060	70	25	25	50	G 3/8"	50	80	1010	OBM2550	OBB2550	0AS6040GC, 18219
82544	60	40	900	1110	70	25	25	50	G 3/8"	50	80	1060	OBM2550	OBB2550	0AS6040GC, 18219
82545	60	40	950	1160	70	25	25	50	G 3/8"	50	80	1110	OBM2550	OBB2550	0AS6040GC, 18219
82546	60	40	1000	1210	70	25	25	50	G 3/8"	50	80	1160	OBM2550	OBB2550	0AS6040GC, 18219
82547	70	35	100	310	80	25	25	50	G 3/8"	50	80	260	OBM2550	OBB2550	0AS7035GC - 06135



Art./Ref.	Alesaggio/ Cylinder bore	Stelo Ø/ Rod Ø	Corsa/ Stroke	A mm	B mm	C mm	D mm	E mm	G mm	H mm	I mm	L mm	M mm	N mm	Kit testa-kit pistone/ Rod guide kit-piston kit
82548	70	35	150	360	80	25	25	50	G 3/8"	50	90	310	ØBM2550	ØBB2550	0AS7035GC - 06135
82549	70	35	200	410	80	25	25	50	G 3/8"	50	90	360	ØBM2550	ØBB2550	0AS7035GC - 06135
82550	70	35	250	460	80	25	25	50	G 3/8"	50	90	410	ØBM2550	ØBB2550	0AS7035GC - 06135
82551	70	35	300	510	80	25	25	50	G 3/8"	50	90	460	ØBM2550	ØBB2550	0AS7035GC - 06135
82552	70	35	350	560	80	25	25	50	G 3/8"	50	90	510	ØBM2550	ØBB2550	0AS7035GC - 06135
82553	70	35	400	610	80	25	25	50	G 3/8"	50	90	560	ØBM2550	ØBB2550	0AS7035GC - 06135
82554	70	35	450	660	80	25	25	50	G 3/8"	50	90	610	ØBM2550	ØBB2550	0AS7035GC - 06135
82555	70	35	500	710	80	25	25	50	G 3/8"	50	90	660	ØBM2550	ØBB2550	0AS7035GC - 06135
82556	70	35	550	760	80	25	25	50	G 3/8"	50	90	710	ØBM2550	ØBB2550	0AS7035GC - 06135
82557	70	35	600	810	80	25	25	50	G 3/8"	50	90	760	ØBM2550	ØBB2550	0AS7035GC - 06135
82558	70	35	650	860	80	25	25	50	G 3/8"	50	90	810	ØBM2550	ØBB2550	0AS7035GC - 06135
82559	70	35	700	910	80	25	25	50	G 3/8"	50	90	860	ØBM2550	ØBB2550	0AS7035GC - 06135
82560	70	35	750	960	80	25	25	50	G 3/8"	50	90	910	ØBM2550	ØBB2550	0AS7035GC - 06135
82561	70	35	800	1010	80	25	25	50	G 3/8"	50	90	960	ØBM2550	ØBB2550	0AS7035GC - 06135
82562	70	35	850	1060	80	25	25	50	G 3/8"	50	90	1010	ØBM2550	ØBB2550	0AS7035GC - 06135
82563	70	35	900	1110	80	25	25	50	G 3/8"	50	90	1060	ØBM2550	ØBB2550	0AS7035GC - 06135
82564	70	35	950	1160	80	25	25	50	G 3/8"	50	90	1110	ØBM2550	ØBB2550	0AS7035GC - 06135
82565	70	35	1000	1210	80	25	25	50	G 3/8"	50	90	1160	ØBM2550	ØBB2550	0AS7035GC - 06135
82566	70	40	100	310	80	25	25	50	G 3/8"	50	80	260	ØBM2550	ØBB2550	0AS7040GC - 06135
82567	70	40	150	360	80	25	25	50	G 3/8"	50	80	310	ØBM2550	ØBB2550	0AS7040GC - 06135
82568	70	40	200	410	80	25	25	50	G 3/8"	50	80	360	ØBM2550	ØBB2550	0AS7040GC - 06135
82569	70	40	250	460	80	25	25	50	G 3/8"	50	80	410	ØBM2550	ØBB2550	0AS7040GC - 06135
82570	70	40	300	510	80	25	25	50	G 3/8"	50	80	460	ØBM2550	ØBB2550	0AS7040GC - 06135
82571	70	40	350	560	80	25	25	50	G 3/8"	50	80	510	ØBM2550	ØBB2550	0AS7040GC - 06135
82572	70	40	400	610	80	25	25	50	G 3/8"	50	80	560	ØBM2550	ØBB2550	0AS7040GC - 06135
82573	70	40	450	660	80	25	25	50	G 3/8"	50	80	610	ØBM2550	ØBB2550	0AS7040GC - 06135
82574	70	40	500	710	80	25	25	50	G 3/8"	50	80	660	ØBM2550	ØBB2550	0AS7040GC - 06135
82575	70	40	550	760	80	25	25	50	G 3/8"	50	80	710	ØBM2550	ØBB2550	0AS7040GC - 06135
82576	70	40	600	810	80	25	25	50	G 3/8"	50	80	760	ØBM2550	ØBB2550	0AS7040GC - 06135
82577	70	40	650	860	80	25	25	50	G 3/8"	50	80	810	ØBM2550	ØBB2550	0AS7040GC - 06135
82578	70	40	700	910	80	25	25	50	G 3/8"	50	80	860	ØBM2550	ØBB2550	0AS7040GC - 06135
82579	70	40	750	960	80	25	25	50	G 3/8"	50	80	910	ØBM2550	ØBB2550	0AS7040GC - 06135
82580	70	40	800	1010	80	25	25	50	G 3/8"	50	80	960	ØBM2550	ØBB2550	0AS7040GC - 06135
82581	70	40	850	1060	80	25	25	50	G 3/8"	50	80	1010	ØBM2550	ØBB2550	0AS7040GC - 06135
82582	70	40	900	1110	80	25	25	50	G 3/8"	50	80	1060	ØBM2550	ØBB2550	0AS7040GC - 06135
82583	70	40	950	1160	80	25	25	50	G 3/8"	50	80	1110	ØBM2550	ØBB2550	0AS7040GC - 06135
82584	70	40	1000	1210	80	25	25	50	G 3/8"	50	80	1160	ØBM2550	ØBB2550	0AS7040GC - 06135
82585	80	40	100	335	95	30	30	60	G 3/8"	60	110	275	ØBM3060	ØBB3060	0AS8040GC - 06136
82586	80	40	150	385	95	30	30	60	G 3/8"	60	110	325	ØBM3060	ØBB3060	0AS8040GC - 06136
82587	80	40	200	435	95	30	30	60	G 3/8"	60	110	375	ØBM3060	ØBB3060	0AS8040GC - 06136
82588	80	40	250	485	95	30	30	60	G 3/8"	60	110	425	ØBM3060	ØBB3060	0AS8040GC - 06136
82589	80	40	300	535	95	30	30	60	G 3/8"	60	110	475	ØBM3060	ØBB3060	0AS8040GC - 06136
82590	80	40	350	585	95	30	30	60	G 3/8"	60	110	525	ØBM3060	ØBB3060	0AS8040GC - 06136
82591	80	40	400	635	95	30	30	60	G 3/8"	60	110	575	ØBM3060	ØBB3060	0AS8040GC - 06136
82592	80	40	450	685	95	30	30	60	G 3/8"	60	110	625	ØBM3060	ØBB3060	0AS8040GC - 06136
82593	80	40	500	735	95	30	30	60	G 3/8"	60	110	675	ØBM3060	ØBB3060	0AS8040GC - 06136
82594	80	40	550	785	95	30	30	60	G 3/8"	60	110	725	ØBM3060	ØBB3060	0AS8040GC - 06136
82595	80	40	600	835	95	30	30	60	G 3/8"	60	110	775	ØBM3060	ØBB3060	0AS8040GC - 06136



Art./Ref.	Alesaggio/ Cylinder bore	Stelo Ø/ Rod Ø	Corsa/ Stroke	A mm	B mm	C mm	D mm	E mm	G mm	H mm	I mm	L mm	M mm	N mm	Kit testa-kit pistone/ Rod guide kit-piston kit
82603	80	40	1000	1235	95	30	30	60	G 3/8"	60	110	1175	OBM3060	OBB3060	OAS8040GC - 06136
82604	80	50	100	335	95	30	30	60	G 3/8"	60	110	275	OBM3060	OBB3060	OAS8050GC - 06136
82605	80	50	150	385	95	30	30	60	G 3/8"	60	110	325	OBM3060	OBB3060	OAS8050GC - 06136
82606	80	50	200	435	95	30	30	60	G 3/8"	60	110	375	OBM3060	OBB3060	OAS8050GC - 06136
82607	80	50	250	485	95	30	30	60	G 3/8"	60	110	425	OBM3060	OBB3060	OAS8050GC - 06136
82608	80	50	300	535	95	30	30	60	G 3/8"	60	110	475	OBM3060	OBB3060	OAS8050GC - 06136
82609	80	50	350	585	95	30	30	60	G 3/8"	60	110	525	OBM3060	OBB3060	OAS8050GC - 06136
82610	80	50	400	635	95	30	30	60	G 3/8"	60	110	575	OBM3060	OBB3060	OAS8050GC - 06136
82611	80	50	450	685	95	30	30	60	G 3/8"	60	110	625	OBM3060	OBB3060	OAS8050GC - 06136
82612	80	50	500	735	95	30	30	60	G 3/8"	60	110	675	OBM3060	OBB3060	OAS8050GC - 06136
82613	80	50	550	785	95	30	30	60	G 3/8"	60	110	725	OBM3060	OBB3060	OAS8050GC - 06136
82614	80	50	600	835	95	30	30	60	G 3/8"	60	110	775	OBM3060	OBB3060	OAS8050GC - 06136
82615	80	50	650	885	95	30	30	60	G 3/8"	60	110	825	OBM3060	OBB3060	OAS8050GC - 06136
82616	80	50	700	935	95	30	30	60	G 3/8"	60	110	875	OBM3060	OBB3060	OAS8050GC - 06136
82617	80	50	750	985	95	30	30	60	G 3/8"	60	110	925	OBM3060	OBB3060	OAS8050GC - 06136
82618	80	50	800	1035	95	30	30	60	G 3/8"	60	110	975	OBM3060	OBB3060	OAS8050GC - 06136
82619	80	50	850	1085	95	30	30	60	G 3/8"	60	110	1025	OBM3060	OBB3060	OAS8050GC - 06136
82620	80	50	900	1135	95	30	30	60	G 3/8"	60	110	1075	OBM3060	OBB3060	OAS8050GC - 06136
82621	80	50	950	1185	95	30	30	60	G 3/8"	60	110	1125	OBM3060	OBB3060	OAS8050GC - 06136
82622	80	50	1000	1235	95	30	30	60	G 3/8"	60	110	1175	OBM3060	OBB3060	OAS8050GC - 06136